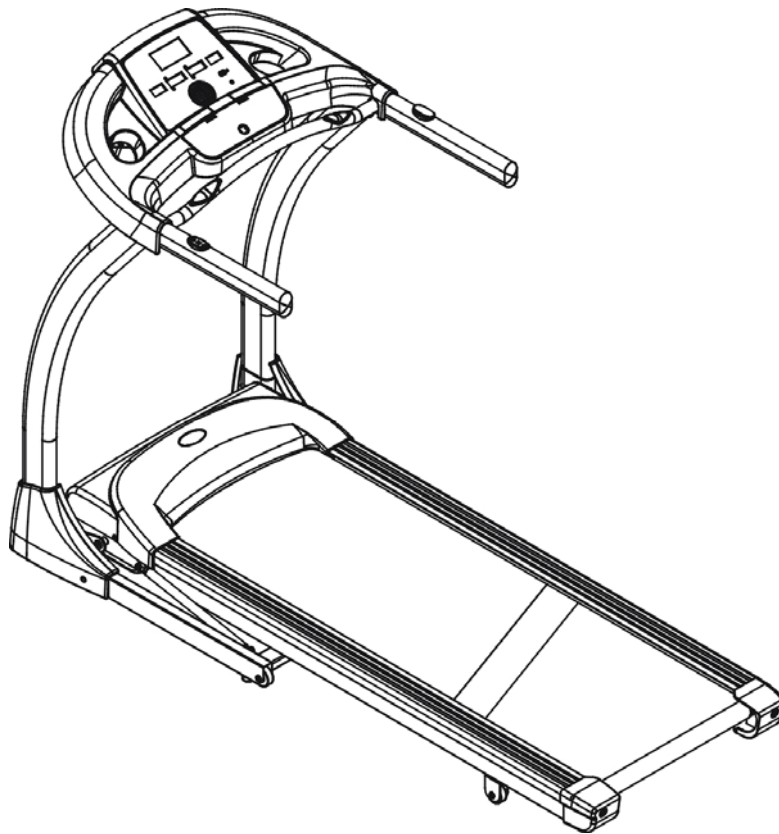


5.65S MOTORIZED TREADMILL



USER WEIGHT LIMITATION: **300lbs(135kgs).**

SERIAL NUMBER (found on frame):

PRECAUTIONS

For future service or related questions:

Please staple your receipt and/or write in the name and phone number of the retail store where you purchased your treadmill.

Name: _____ Phone Number: _____ Receipt: _____

Precautions:

WARNING: To reduce the risk of burns, fire, electric shock, or injury to persons, read the following important precautions and information before operating the treadmill. It is the responsibility of the owner to ensure that all users of this treadmill are adequately informed of all warnings and precautions.

- Use the treadmill only as described in this manual.
- Place on a level surface, with 6 feet (2 mX1m space) of clearance behind it. Do not place the treadmill on any surface that blocks air openings. To protect the floor or carpet from damage, place a mat under the treadmill.
- When choosing a location for the treadmill be sure that the location and position permit access to a plug.
- Keep the treadmill indoors, away from moisture and dust. Do not put the treadmill in a garage or covered patio, or near water.
- Do not operate the treadmill where aerosol products are used or where oxygen is being administered.
- Keep children under the age of 12 and pets away from the treadmill at all times.
- The treadmill should not be used by persons weighing more than **300LBS (135 Kgs)**.
- Never allow more than one person on the treadmill at a time. Wear appropriate exercise clothing when using the treadmill. Do not wear loose clothing that could become caught in the treadmill. Athletic support clothes are recommended for both men and women. Always wear athletic shoes. Never use the treadmill with bare feet, wearing only stockings, or in sandals.
- When connecting the power cord, plug the power cord into a grounded circuit. No other appliance should be on the same circuit.
- Always straddle the belt and allow it to start moving before stepping onto the belt.
- Always examine your treadmill before using to ensure all parts are in working order.
- Allow the belt to fully stop before dismounting.
- Never insert any object or body parts into any opening.
- Follow the safety information in regards to plugging in your treadmill.
- Keep the power cord away from the incline wheels and do not run the power cord underneath your treadmill. Do not operate the treadmill with a damaged or frayed power cord.
- Always unplug the treadmill before cleaning and/or servicing. Service to your treadmill should only be performed by an authorized service representative, unless authorized and/or instructed by the manufacturer. Failure to follow these instructions will void the treadmill warranty.
- Never leave the treadmill unattended while it is running.
- Use "safety key" when operating the treadmill and make sure the "safety key" is clipped to the users clothing.
- Remove the "safety key" and store it in a safe place when the treadmill is not in use. Keep the "safety key" away from children.

PRECAUTIONS

Pour réparations futures ou questions connexes :

Please staple your receipt and/or write in the name and phone number of the retail store where you purchased your treadmill.

Name: _____ Phone Number: _____ Receipt: _____

Précautions:

AVERTISSEMENT : Pour réduire les risques de brûlures, d'incendie, de choc électrique ou de blessures aux personnes, lire les précautions importantes et l'information suivantes avant de se servir du tapis roulant. Il revient au propriétaire de s'assurer que tous les utilisateurs de ce tapis ont bien été informés de tous les avertissements et précautions.

- Utiliser le tapis seulement comme il est décrit dans ce manuel.
- Le placer sur une surface plane, en laissant 2 m (6 pi) d'espace libre en arrière. Ne pas placer le tapis roulant sur une surface qui bloque les ouvertures d'air.
- Pour protéger le plancher ou un tapis de dommages, placer un petit tapis sous le tapis roulant.
- Choisir pour le tapis roulant un emplacement et une position qui permettent d'avoir accès à une prise murale.
- Garder le tapis roulant à l'intérieur, à un endroit sans humidité ni poussière. Ne pas mettre le tapis roulant dans un garage, sur une terrasse couverte ou près de l'eau.
- Ne pas faire fonctionner le tapis roulant pendant la vaporisation de produits aérosol ou l'administration d'oxygène.
- Ne pas laisser les enfants de moins de 12 ans et les animaux s'approcher du tapis roulant.
- Le tapis roulant ne doit pas être utilisé par des personnes pesant plus de **300 lbs (135 kg)**.
- Il ne doit jamais y avoir plus d'une personne sur le tapis à la fois. Porter des vêtements d'exercice appropriés pour utiliser le tapis roulant. Ne pas porter de vêtements lâches qui pourraient être pris dans le tapis roulant. Les vêtements de soutien athlétiques sont recommandés tant pour les hommes que pour les femmes. Porter toujours des chaussures d'athlétisme. Ne pas être pieds nus, ou porter seulement des chaussettes ou des sandales lors de l'utilisation du tapis roulant.
- Brancher le cordon d'alimentation dans un circuit avec mise à la terre. Aucun autre appareil ne doit être sur le même circuit.
- Toujours enjamber le tapis et le laisser commencer à rouler avant de monter dessus.
- Toujours examiner votre tapis roulant avant de l'utiliser pour s'assurer que toutes les pièces fonctionnent correctement.
- Laisser le tapis s'arrêter complètement avant de descendre.
- Ne jamais insérer d'objets ou de parties du corps dans une ouverture.
- Suivre les directives de sécurité en ce qui concerne le branchement de votre tapis roulant.
- Garder le cordon d'alimentation éloigné des roues inclinées et ne pas faire passer le cordon d'alimentation sous votre tapis roulant. Ne pas faire fonctionner le tapis roulant si le cordon d'alimentation est endommagé ou effiloché.
- Débrancher toujours le tapis roulant avant de le nettoyer ou de le réparer.
- Toute réparation au tapis doit être effectuée par un réparateur agréé, à moins d'autorisation ou de directives contraires du fabricant. Le non-respect de ces instructions annulera la garantie du tapis roulant.
- Ne jamais laisser le tapis roulant sans surveillance lorsque la clé de sécurité est insérée.
- Utiliser la « clé de sécurité » pour faire fonctionner le tapis roulant et s'assurer qu'elle est accrochée aux vêtements des utilisateurs
- Retirer la « clé de sécurité » et la ranger dans un endroit sûr lorsque le tapis roulant n'est pas en fonction. Garder la « clé de sécurité » hors de la portée des enfants

POWER REQUIREMENTS

Power Requirements:

IMPROPER CONNECTION OF THE EQUIPMENT GROUNDING CONNECTOR CAN RESULT IN THE RISK OF AN ELECTRIC SHOCK. CHECK WITH A QUALIFIED ELECTRICIAN OR SERVICE MAN IF YOU ARE IN DOUBT AS TO WHETHER THE PRODUCT IS PROPERLY GROUNDING. DO NOT MODIFY THE PLUG PROVIDED WITH THE PRODUCT, IF IT WILL NOT FIT THE OUTLET; HAVE A PROPER OUTLET INSTALLED BY A QUALIFIED ELECTRICIAN.

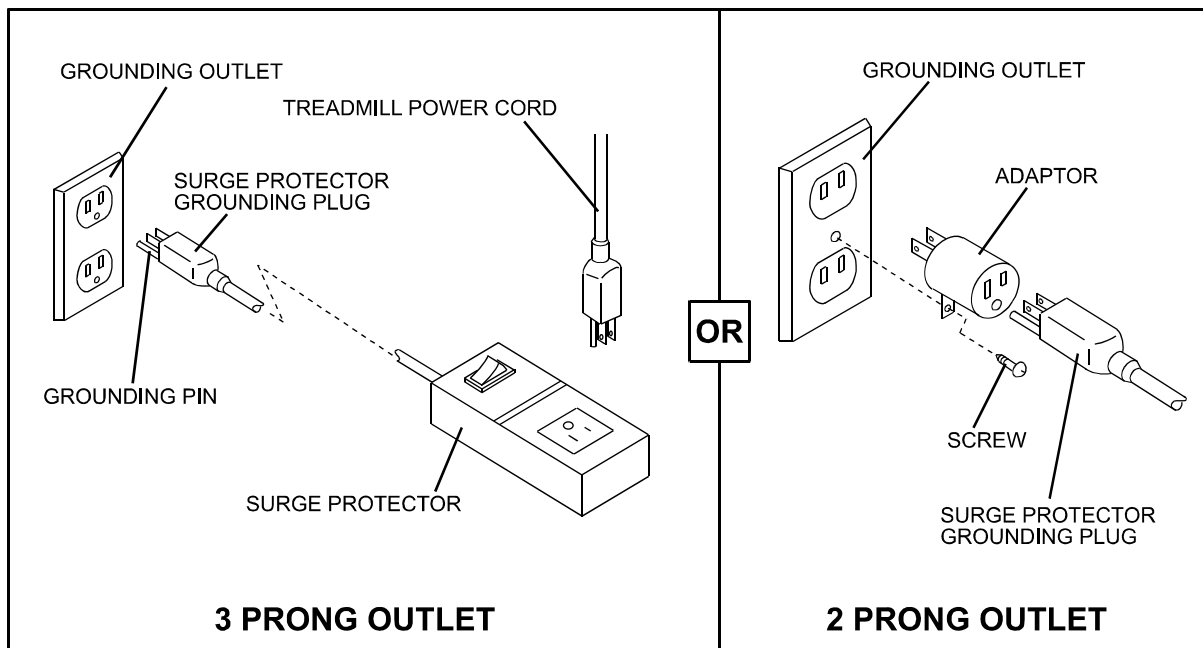
This treadmill can be seriously damaged by sudden voltage changes in your home's electrical power. Voltage spikes, surges and noise interference can result from weather conditions or from other appliances being turned on or off. To reduce the possibility of treadmill damage, always use a surge protector (not included) with your treadmill.

Surge protectors can be purchased at most hardware stores. The manufacturer recommends a single outlet surge protector with a UL 1449 rating as a Transient Voltage Surge Suppressor (TVSS) with a UL suppressed voltage rating of 400V or less and an electrical rating **120VAC**, 15 amps.

This treadmill must be grounded to reduce the risk of electrical shock. Grounding provides a path of least resistance for electric current, should the treadmill malfunction. This treadmill is equipped with an electrical cord that has an equipment-grounding conductor and a grounding plug. Always plug the power cord into a surge protector, and plug the surge protector into an appropriate outlet that is properly installed and grounded in accordance with all local codes and ordinances.

This product is for use on a nominal **120-volt** circuit, and has a grounding plug that looks like the plug illustrated in the drawing below.

GFCI outlets and GFCI Circuit Breakers are NOT recommended for use on this product. GFCI outlets and GFCI Circuit Breakers may cause this equipment to function improperly.



POWER REQUIREMENTS

Alimentation :

UN MAUVAIS BRANCHEMENT DU CONNECTEUR DE MISE À LA TERRE DE L'ÉQUIPEMENT POURRAIT PROVOQUER UN CHOC ÉLECTRIQUE. EN CAS DE DOUTE, CONSULTER UN ÉLECTRICIEN OU UN RÉPARATEUR QUALIFIÉ POUR SAVOIR SI LE PRODUIT EST CORRECTEMENT MIS À LA TERRE. NE PAS MODIFIER LA FICHE FOURNIE AVEC LE PRODUIT. SI ELLE N'ENTRE PAS DANS LA PRISE, FAIRE INSTALLER UNE PRISE APPROPRIÉE PAR UN ÉLECTRICIEN PROFESSIONNEL.

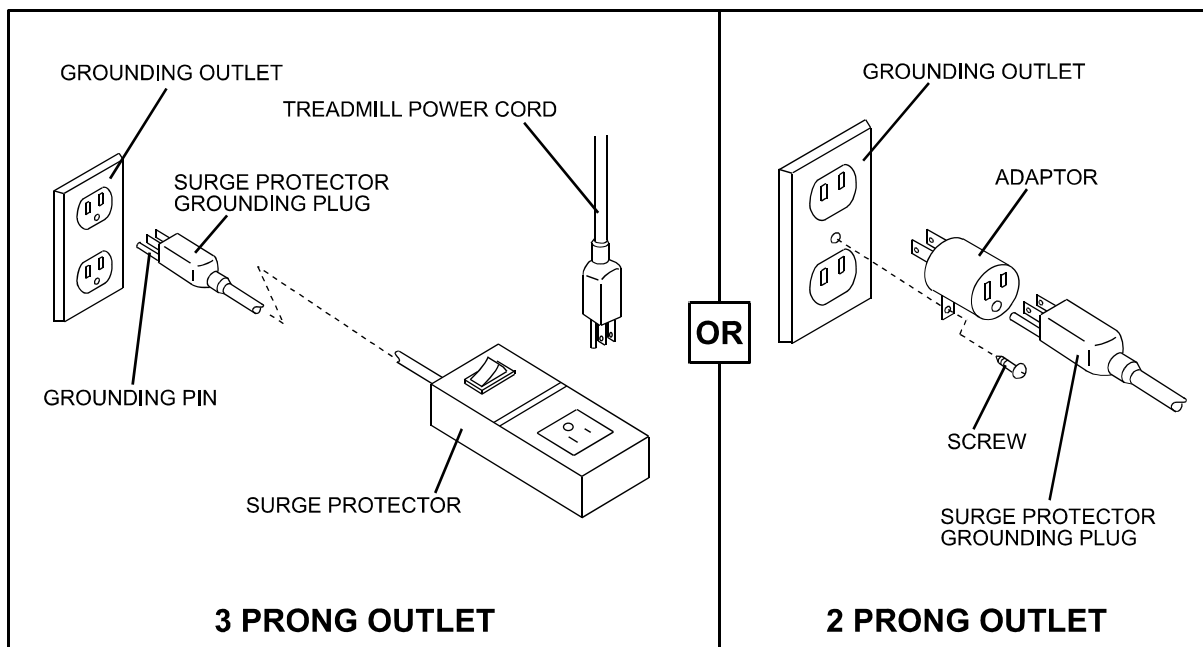
Ce tapis roulant pourrait être gravement endommagé en cas de changement soudain de tension dans votre alimentation électrique. Les conditions météorologiques ou la mise sous tension ou hors tension d'autres appareils électriques peuvent provoquer des pointes de tension, des surtensions ou un brouillage. Pour réduire la possibilité que le tapis soit endommagé, toujours utiliser un limiteur de surtension (non inclus) avec votre tapis roulant.

Il est possible d'acheter des limiteurs de surtension dans la plupart des quincailleries. Le fabricant recommande un limiteur de surtension UL 1449 à prise unique comme supprimeur de tension transitoire (TVSS) ayant un taux de suppression de tension de 400 V ou moins et une tension électrique de 110 V C.A., 15 A.

Ce tapis roulant doit être mis à la terre pour réduire le risque de choc électrique. La mise à la terre fournit une voie de moindre résistance au courant électrique en cas de mauvais fonctionnement du tapis roulant. Ce tapis roulant est équipé d'un cordon électrique avec un conducteur de mise à la terre et une fiche de mise à la terre. Brancher toujours le cordon électrique dans un limiteur de surtension et brancher le limiteur de surtension dans une prise appropriée, correctement installée et mise à la terre conformément à tous les codes locaux et ordonnances.

Ce produit doit être utilisé avec un circuit nominal de 110 volts et à une fiche de mise à la terre qui ressemble à celle illustrée ci-dessous.

Les prises avec disjoncteur de fuite de terre et les disjoncteurs de fuite de terre ne sont PAS recommandés pour ce produit. Les prises avec disjoncteur de fuite de terre et les disjoncteurs de fuite de terre pourraient provoquer un mauvais fonctionnement de cet équipement.



BEFORE YOU BEGIN**Open the boxes:**

Open the boxes of your new equipment. **Inventory all parts included in the boxes, and Supplied Hardware lists on page 7 for a full count of the parts included.** If you are missing any parts or have any questions contact us directly at 888-800-1167

Gather your tools:

Before you begin, make sure that you have gathered all the necessary tools you may require to assemble the unit properly. Having all of the necessary equipment at hand will save time and make the assembly quick and hassle-free.

Clear your work area:

Make sure that you have cleared away a large enough space to properly assemble the unit. Make sure the space is free from anything that may cause injury during assembly. After the unit is fully assembled, make sure there is a comfortable amount of free area around the unit for unobstructed operation.

Invite a friend:

Some of the assembly steps may require heavy lifting. It is recommended that you obtain the assistance of another person when assembling this product.

User Weight Limitation:

Please note that there is a weight limitation for this product. If you weigh more than **300LBS (Approx. 135 Kgs)**. It is not recommended that you use this product. Serious injury may occur if the user's weight exceeds the limit shown here. This product is not intended to support users whose weight exceeds this limit.

Care and maintenance:

The safety level can be maintained only if it is examined for damage and wear.

Replace any defective components immediately and stop all use of the equipment until repaired.

Always take care when mounting the equipment. Straddle the equipment by placing your feet on the straddle rails. Dismount from the equipment only after all parts have stopped.

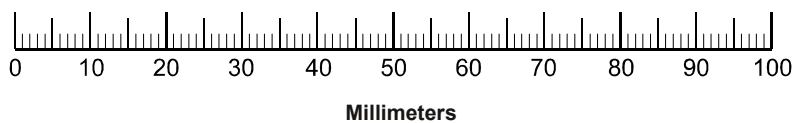
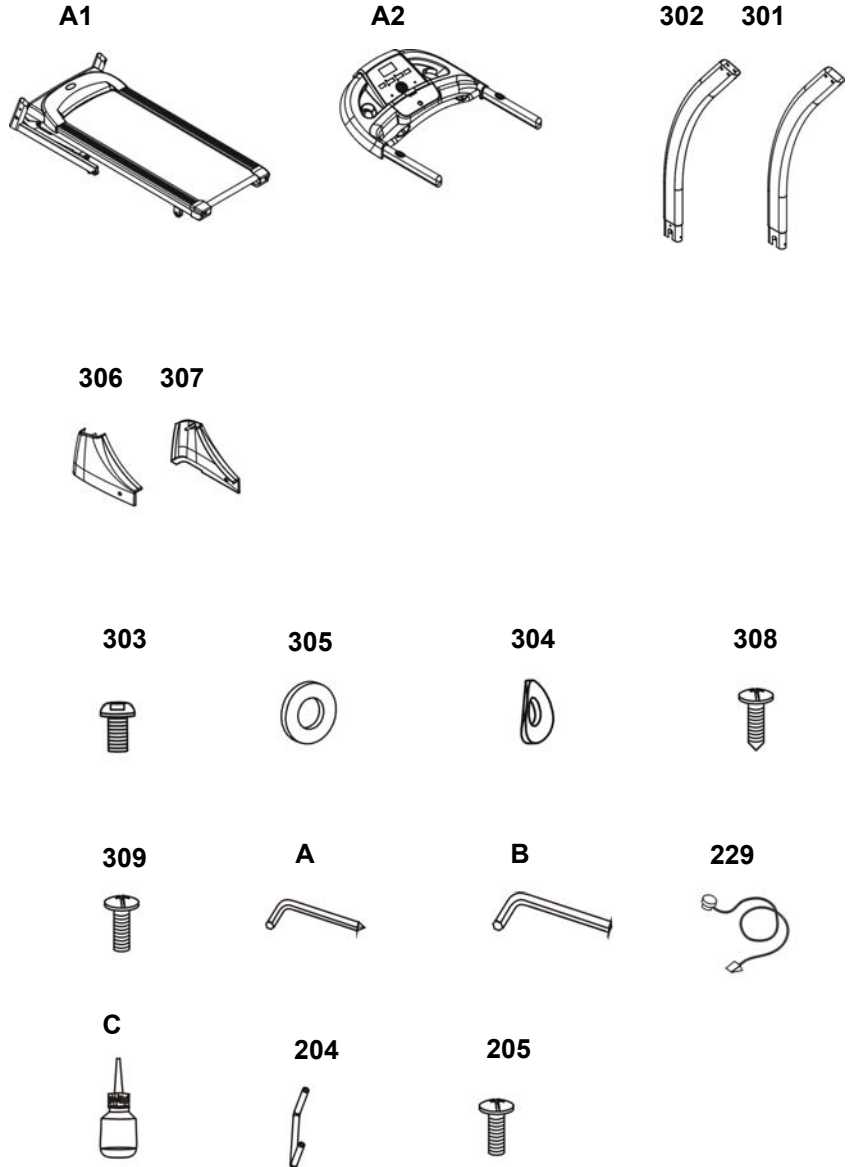
Always check the wear and tear components like pulley, belts, etc....To prevent injury.

There is an emergency stop, in the form of a SAFETY KEY, to prevent injury; you can stop the treadmill immediately by actuating the emergency stop for emergency dismount.

SUPPLIED COMPONENTS / SUPPLIED HARDWARE

This list identifies the major components you will use to assemble this product.

No.	Description	Qty.
A1	Treadmill Base	1
A2	Console Assembly	1
565-302	Left Upright	1
565-301	Right Upright	1
565-306	Left Protective Cover	1
565-307	Right Protective Cover	1
Hardware Kit		
565-303	M8x15mm Bolt	12
565-305	M8 Washer	6
565-304	M8 Curve Washer	6
565-308	M4x15mm Bolt	2
565-309	M4x12mm Bolt	2
A	5mm Allen Key	1
B	6mm Allen Key	1
565-209	Safety Key	1
C	Silicone Lubricant	1
565-204	Bottle Holder	1
565-205	M5x15mm Bolt	2



COMPLETE PARTS LIST

Part No.	Description	Qty.
5.65S-1		
565S-101	Running Deck Frame	1
565S-102	Front Roller	1
565S-103	Rubber Cushion	6
565S-104	Running Deck	1
565S-105	Running Delt	1
565S-106	Rear Roller	1
565S-107	Motor Control Board	1
565S-108	Upper Motor Cover	1
565S-109	Inductance	4
565S-110	Wave Filter	4
565S-111	Front Mobile Wheel	2
565S-112	Brass Pillar	4
565S-113	Base Frame	1
565S-114	Speed Sensor	1
565S-115	On-off Switch	1
565S-116	M8*30mm Bolt	2
565S-117	Power Breaker	1
565S-118	End Cap-2	2
565S-119	Running Deck Frame End Cap	2
565S-120	M8 Spring Washer	2
565S-121	Drive Belt	1
565S-122	Left Roller Cover	1
565S-123	Right Roller Cover	1
565S-124	Side Rein	2
565S-125	Stud-1	2
565S-126	Washer, Stud	2
565S-127	M8*15mm Bolt	2
565S-128	M3*6mm Bolt	4
565S-129	Lower Locking Tube	1
565S-130	Upper Locking Tube	1
565S-131	Lower Motor Cover	1
565S-132	Rear Wheel	2
565S-133	M4*6mm Bolt	2
565S-134	Incline Motor	1
565S-135	DC Motor	1
565S-136	Lift Arm	1
565S-137	Adjustment Pad	2
565S-138	M8*15mm Bolt	4
565S-139	M3*6mm Bolt	2
565S-140	M8*40mm Bolt	2

COMPLETE PARTS LIST

Part No.	Description	Qty.
565S-141	M8*40mm	3
565S-142	M8 Nut	2
565S-143	M10*45mm Bolt	1
565S-144	M10 Nut	1
565S-145	M8 Spring Washer	5
565S-146	M8*15mm Bolt	2
565S-147	Ring Core	2
565S-148	M8*140mm Bolt	1
565S-149	M8 Nut	2
565S-150	5/16"*135mm Bolt	1
565S-151	Lower Console Wire	1
565S-152	M8 Spring washer	1
565S-153	M4*10mm-1 Bolt	8
565S-154	M4*10mm-2 Bolt	4
565S-155	Power Cord	1
565S-156	Washer, Stud	2
565S-157	M8*30mm Bolt	1
565S-58	M8*70mm Bolt	3
565S-159	M6*15mm Washer	8
565S-160	Bolt M8*25mm	8
565S-161	Wire Clip	4
565S-162	M5*12mm Bolt	4
565S-163	Air Shock	1
565S-164	M8*15mm Bolt	2
565S-165	M8*55mm Bolt	1
565S-166	M8*60mm Bolt	1
565S-167	M4*15mm Bolt	2
565S-168	Fixing Bracket, Motor	1
565S-169	Electric Wire Cover	4
565S-170	Stud-2	2
565S-171	Horizontal Adjustment	2
565S-172	Spacer	2
565S-173	Bushing	4
565S-174	M4*10mm Bolt	7
565S-175	Rubber Cushion -2	2
565S-176	Rubber Cushion -3	2

COMPLETE PARTS LIST

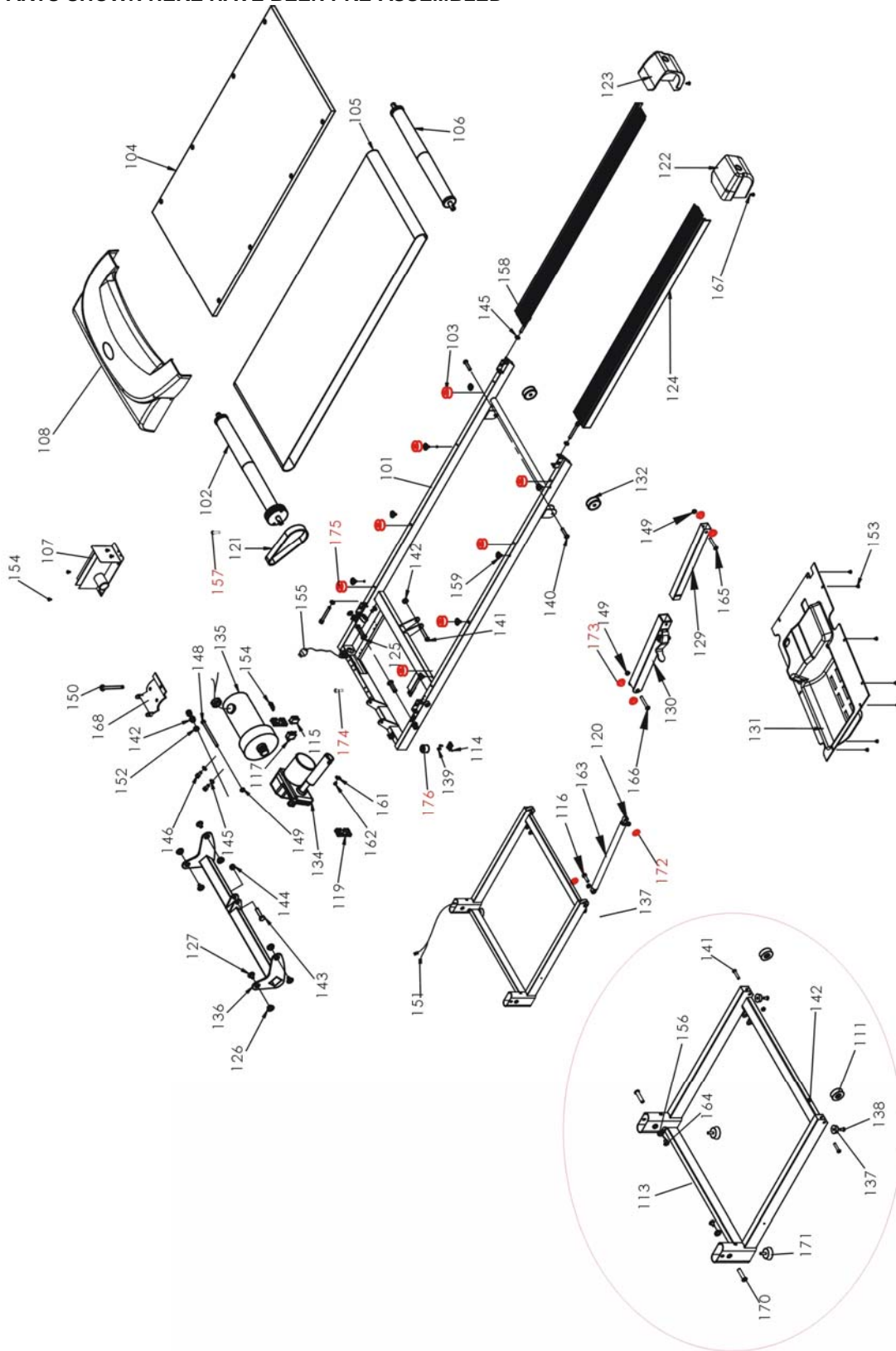
Part No.	Description	Qty.
565S-2		
565S-201	Console Frame	1
565S-202	Console Housing	1
565S-203	M4x12mm Bolt	14
565S-204	Bottle Holder	1
565S-205	M5x15mm Bolt	2
565S-206	M4x15mm Bolt	5
565S-207	Handle Pulse Sensor	2
565S-208	M4x25mm Bolt	2
565S-209	Stud	2
565S-210	Ring Core	1
565S-211	Console Insert	1
565S-212	Fixing Bracket, left speaker	1
565S-213	Fixing Bracket, right speaker	1
565S-214	Panel, console	1
565S-215	M3x6mm Bolt	5
565S-216	Hand Pulse PCB	1
565S-217	Sensor	1
565S-218	Fan	1
565S-219	Speaker	2
565S-220	M3x30mm Bolt	4
565S-221	Handle Grip Foam	2
565S-222	Receiver	1
565S-223	Handle Button	2
565S-224	M4x12mm Bolt	4
565S-225	Handle Button Sticker	2
565S-226	Net of speaker (left)	2
565S-227	Net of speaker (right)	4
565S-228	Soft Touch Keypad	1
565S-229	Safety Key	1
565S-230	Console Wire	1
565S-231	Handle Button Wire	2
565S-232	Receiver Wire	1
565S-233	Hand Pulse Wire	2
565S-234	Data Updated Wire	4
565S-235	Audio Jack	1

COMPLETE PARTS LIST

Part No.	Description	Qty.
565S-3		
565S-301	Right Upright	1
565S-302	Left Upright	1
565S-303	M8x15mm Bolt	12
565S-304	M8 Curve Washer	6
565S-305	M8 Washer	6
565S-306	Left Protective Cover	1
565S-307	Right Protective Cover	1
565S-308	M4x15mm Bolt	2
565S-309	M4x12mm Bolt	2

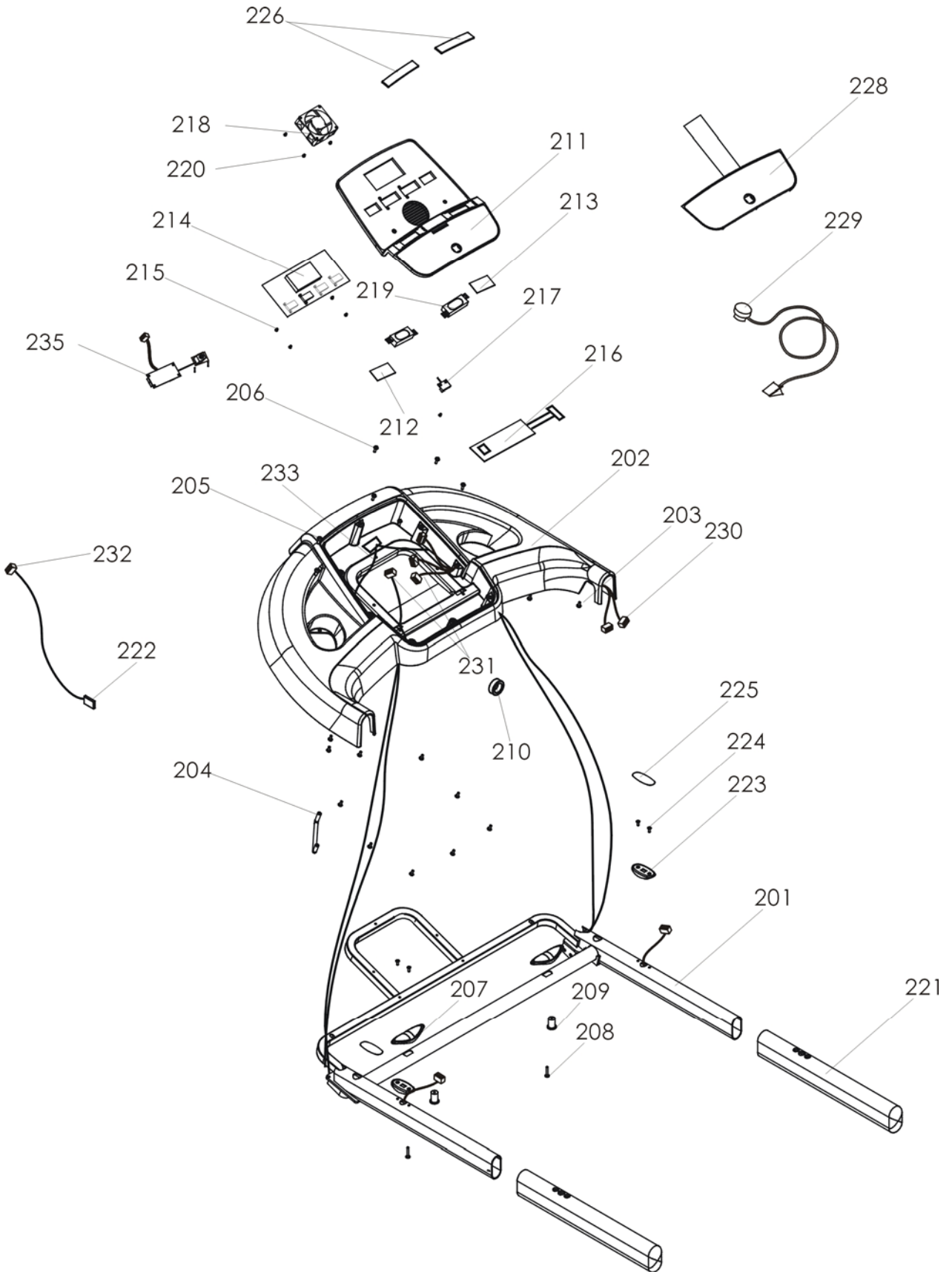
PARTS DIAGRAM

MOST OF THE PARTS SHOWN HERE HAVE BEEN PRE-ASSEMBLED



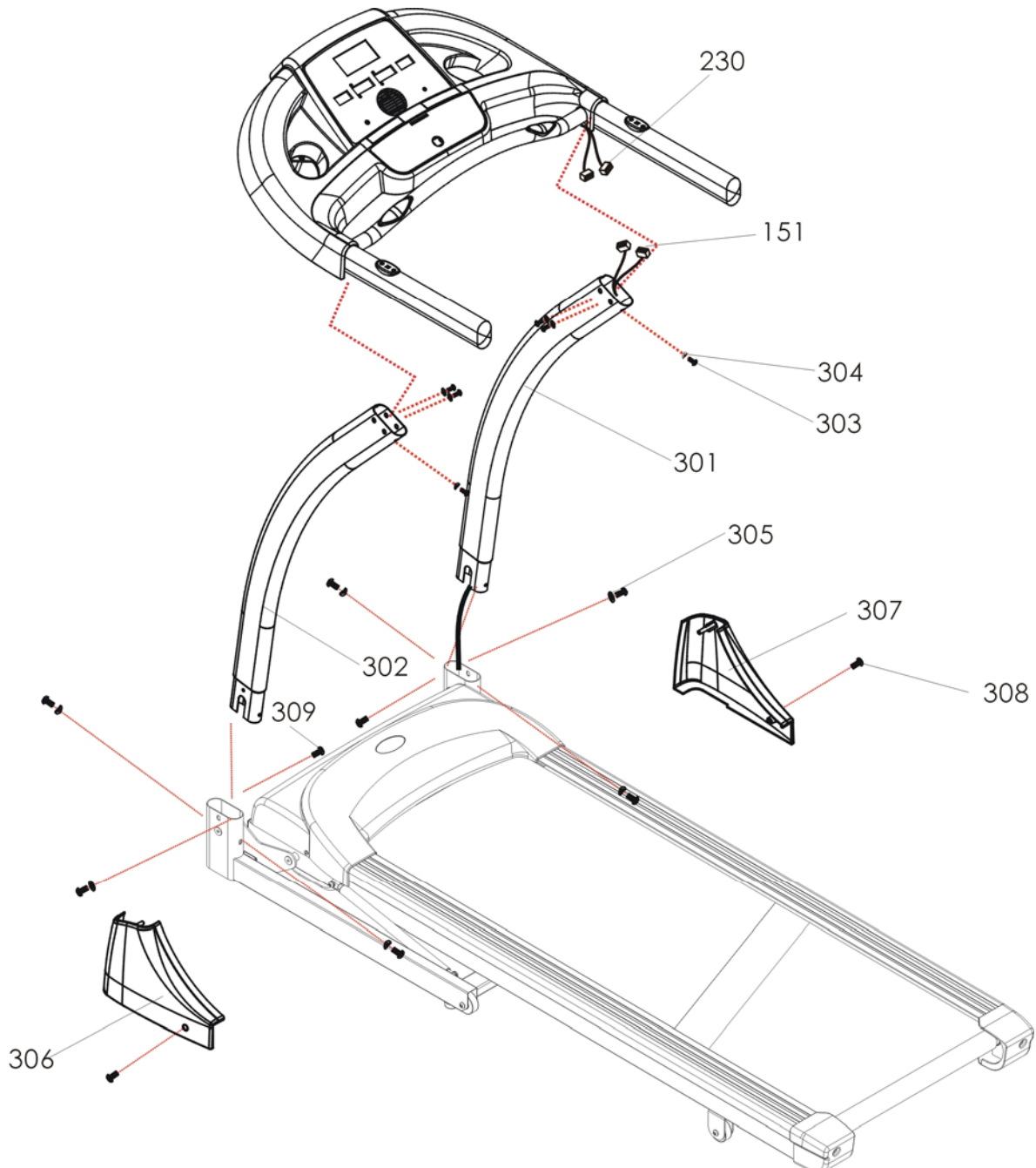
PARTS DIAGRAM

MOST OF THE PARTS SHOWN HERE HAVE BEEN PRE-ASSEMBLED.



PARTS DIAGRAM

A MAJORITY OF THE PARTS SHOWN HERE HAVE BEEN PREASSEMBLED AT THE FACTORY.



ASSEMBLY – PLEASE READ ALL STEPS BEFORE BEGINNING YOUR WORK.**STEP1: Assemble Console Mast to Base Frame.**

NOTE: Make sure all wires are recessed into the frame. DO NOT trap or pinch. DO NOT tighten any bolts until STEP2.

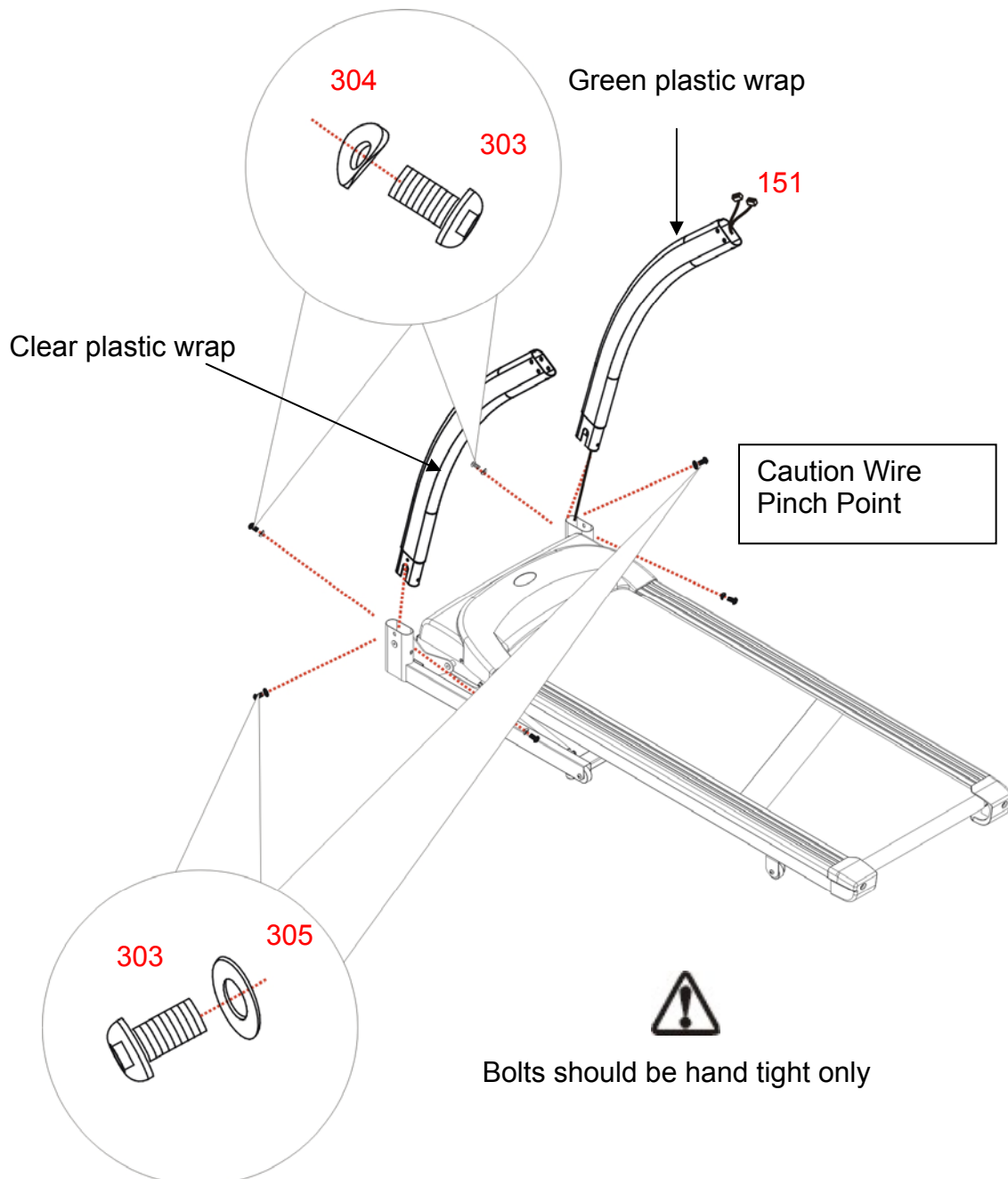
When attaching the **Right** upright (310) first attach the Lower Console Wire to the fish wire in the upright. This will allow you to pull the data cable up through the upright during installation

1). Attach Left and Right Uprights into base frame, and secure using the 6 x M8x15mm Bolt (303) with 4 x M8 Curve Washer (304), 2 x M8 Washer (305).

303 X6 

305 X2 

304 X4 



ASSEMBLY**STEP2: Attach Console to Left and Right Uprights**

1). Connect the Upper Console Wire (230) from the console set to Lower Console Wire (151) in the right upright, Then place the excess wire and the connectors into right upright.

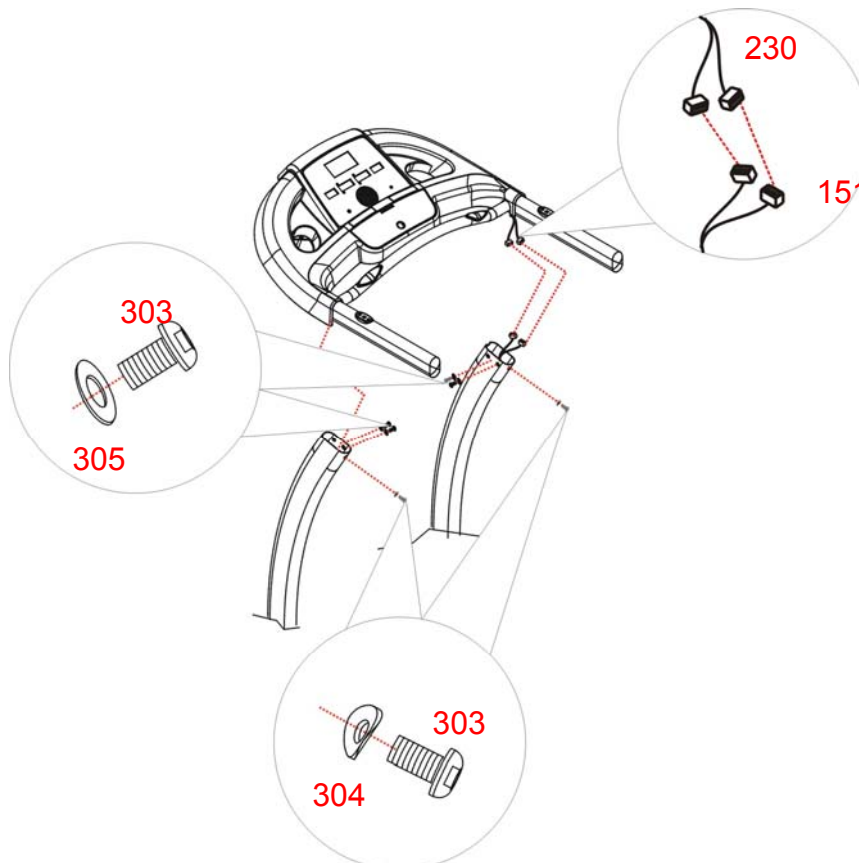
2). Place the entire console set onto the uprights, and secure the left side using 3 x M8x15mm Bolt (303) with 2 x M8 Washer (305) and 1 x M8 Curve Washer (304).

3). Repeat the above process for the Right side

4). Fully tighten all bolts from step 1 and step 2

303 X6**305 X4****304 X2**

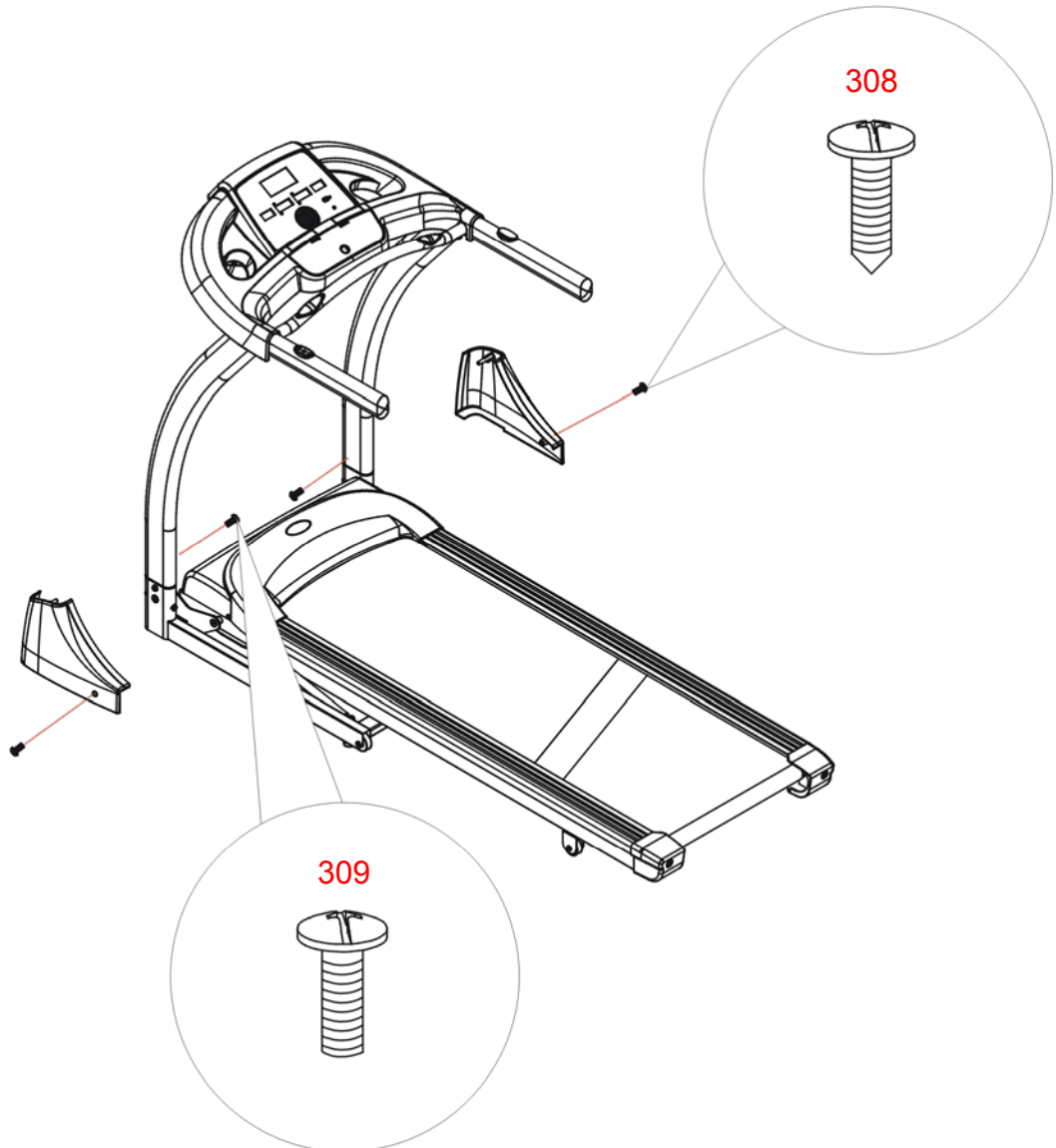
Caution Pinch point! Do not pinch wires between frame.



Tighten all bolts and fasteners now

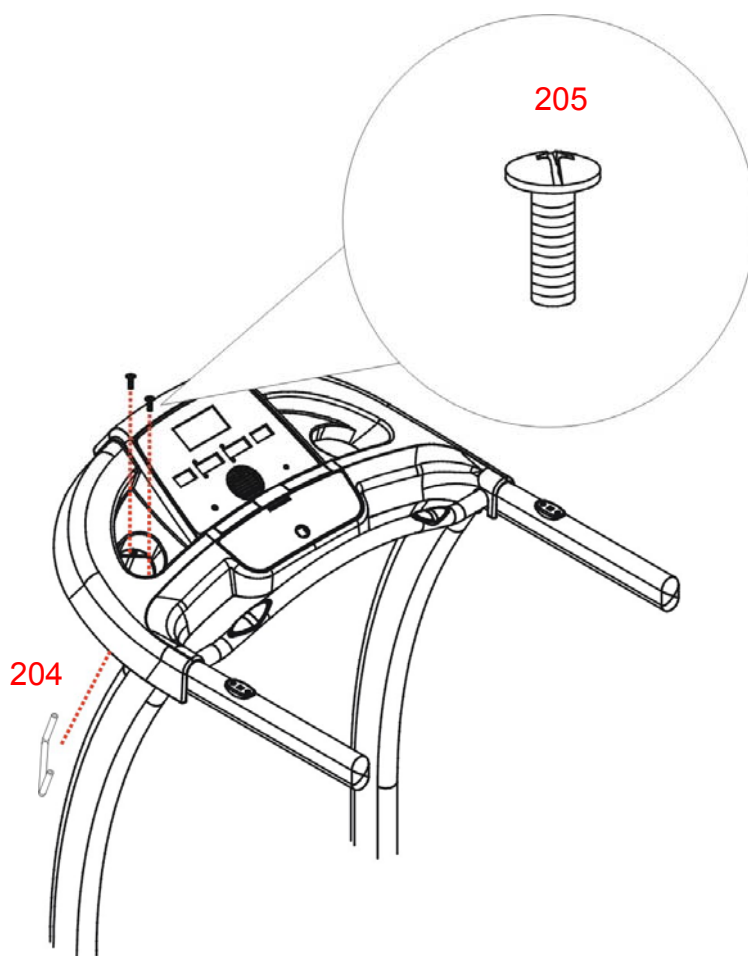
ASSEMBLY**STEP3: Fasten protective cover on the upright**

- 1). Attach the Left Protective Cover (306) onto the Left upright and secure using 1 x M4x15mm Bolt (308) and 1 x M4x12mm Bolt (309).
- 2). Repeat the above process for the Right side.

308 X2 **309** X2 **306****307**

ASSEMBLY**STEP4: Assembly the console to the bottle holder**

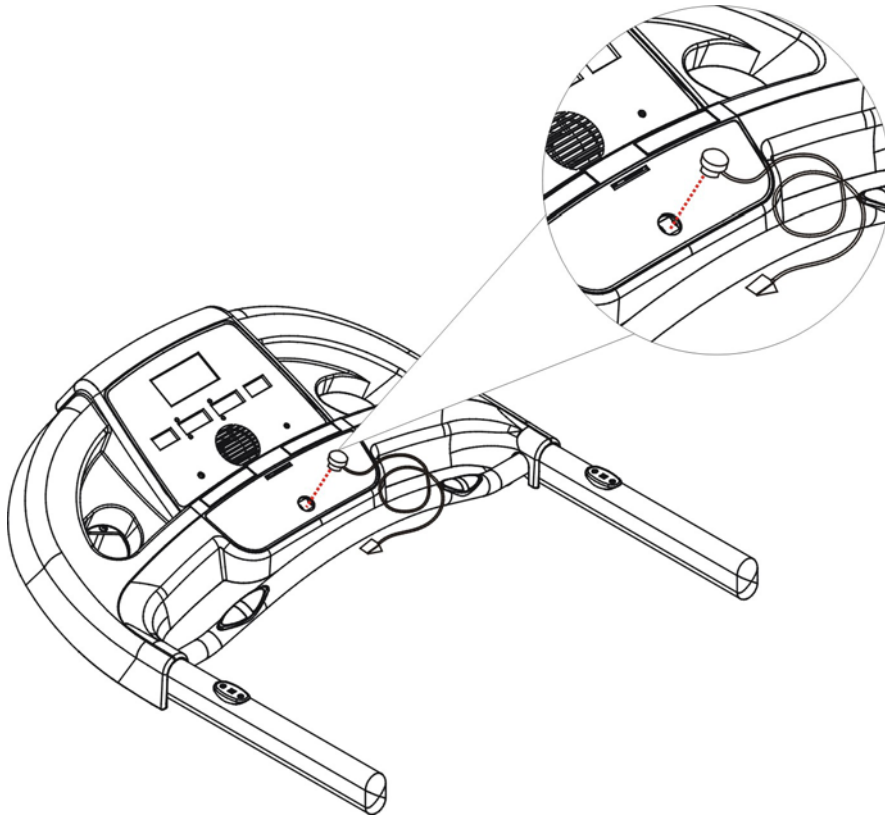
Attach the Bottle holder to the console set, and secure using M5x15mm Bolt (205).

205 X2**204 X1**

Tighten all bolts and fasteners now

ASSEMBLY**STEP 5:**

Insert the Safety Key (229) into Bottom Center of Console prior to operation.
Your treadmill will not Function with out the safety key.

229 X1

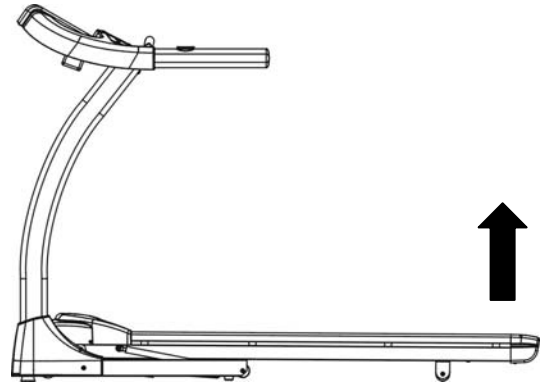
ASSEMBLY

How to fold and unfold the treadmill:

Your treadmill can be folded up and unfold for space saving storage. To do this follow the instructions here:

Fold Up

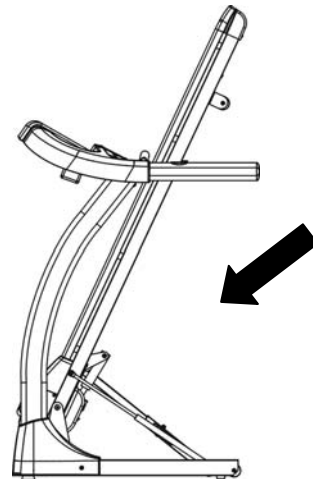
1. To fold the deck you first need to bring the treadmill to the lowest incline level and then remove the power cord
2. Lift the deck up from the rear of the treadmill and fold up until it locks in place. **TO PREVENT INJURY BE SURE YOU HAVE A FIRM HOLD WHEN RAISING THE DECK.**
3. You will hear a "click" sound as the lock engages.



Unfold

To unfold the treadmill from the upright position:

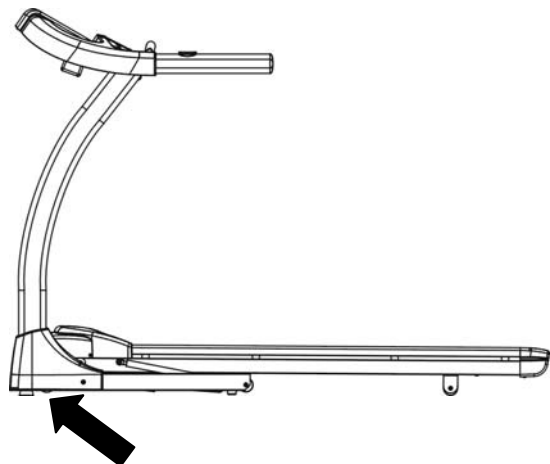
1. Begin by standing behind the unit and support the deck with your hands. Next release the lock with your foot by pressing the release lever with your foot. **TO PREVENT INJURY BE SURE YOU HAVE A FIRM HOLD ON THE DECK BEFORE RELEASING THE LOCK.**
2. Slowly lower the deck until the deck start to lower by itself. The deck will lower slowly until it rests firmly on the ground. **PLEASE DO NOT STAND BEHIND THE TREADMILL AND BE CERTAIN THE AREA BEHIND IS CLEAR WHEN THE DECK IS LOWERING**



Horizontal Adjustment

An uneven floor or improper stabilizer level can cause the treadmill to wobble during use as well as the incline adjustment to function incorrectly. Please follow the procedure described below to make sure the treadmill stabilizer is adjusted correctly prior to use. You may need the assistance of another person to perform this adjustment.

First locate the two adjustable stabilizers under the base frame. Then simply rotate them in or out to adjust the level of the treadmill. When properly adjusted the treadmill should sit firmly on both stabilizers and all cushions.



MAINTAINENCE

HOW TO MAINTAIN YOUR TREADMILL:

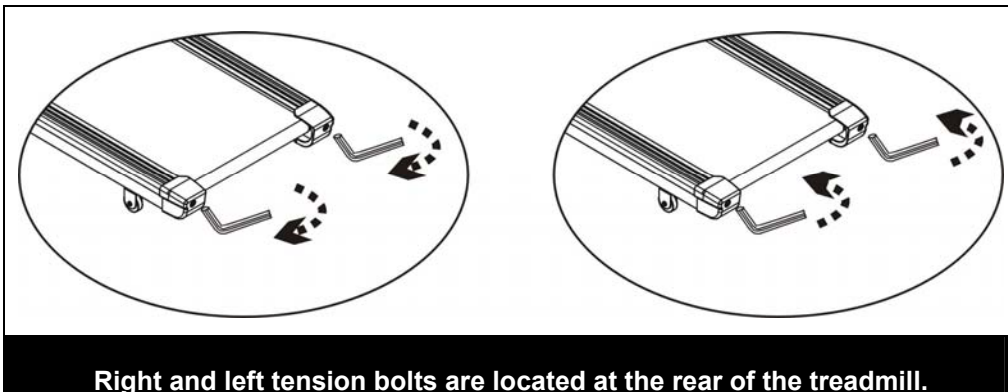
Proper maintenance is very important to ensure your treadmill is always in top working condition. Improper maintenance could cause damage or shorten the life of your treadmill and VOID the LIMITED WARRANTY coverage.

- **Important: DO NOT** use abrasives or solvents to clean the treadmill. To prevent damage to the computer, keep liquids away and keep it out of direct sunlight.
- Inspect and tighten all parts of the treadmill regularly. Replace any damaged or worn parts immediately.

BELT ADJUSTMENT:

The running belt has been properly adjusted at the factory. However transportation, uneven flooring or other unpredicted reasons could cause the belt to shift off center resulting in the belt rubbing with the plastic side rail or end caps and possibly causing damage. To adjust the belt back to it's proper position please follow the directions below:

1. If your belt tends to move to the right, rotate the right tension bolt clockwise. We recommend an adjustments of 1/4 turn at a time. Then run the treadmill at 3 mph for 5 minutes . If your belt continues to walk to the right, simply adjust the left belt tension bolt by turning it 1/4 turn counterclockwise, Then run the treadmill at 3 mph for 5 minutes .Repeat until the belt is centered..
2. If your belt tends to walk to the left, rotate the left tension bolt clockwise 1/4 turn at a time. Then run the treadmill at 3 mph for 5 minutes. If the belt continues to walk to the left, simply adjust the right tension bolt counterclockwise. Then run the treadmill at 3 mph for 5 minutes .Repeat until the belt is centered..
3. If your belt is slipping, simply tighten both left and right bolts evenly 1/4 turn. Repeat the process if necessary. DO NOT over tighten the walking belt.,



DECK LUBRICATION:

The walking belt has been pre-lubricated at the factory. However, it is recommended that the walking board be checked periodically for lubrication to ensure optimal treadmill performance. Your treadmill should not have to be lubricated usually within 3 months.

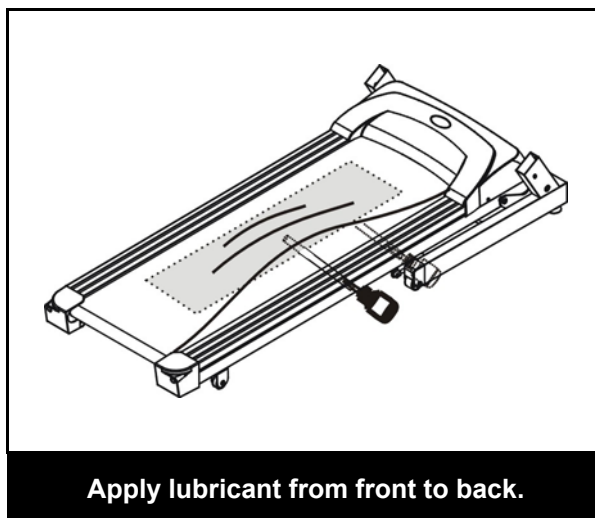
Smooth Fitness recommends lubricating the walking deck a minimum of twice a year for light use (2 days a week) and four times a year for heavier use(3 times a week or multiple users)

Please visit www.smoothfitness.com for approved maintenance supplies

MAINTAINENCE

To apply lubricant under the walking belt:

1. Un plug the treadmill. Position the walking belt so that the seam is located on top and in center of the walking board.
2. Insert the nozzle of the lubricant container under the belt
3. While lifting the side of the walking belt, position the nozzle between the walking belt and the board approximately 15 cm (6 inches) from the front of the treadmill. Apply the silicone lubricant to the walking board, moving from the front of the treadmill to the rear. Repeat this on the other side of the belt. Note: it is important to get the lubricant as far to the center of the walking board as possible.
4. Allow the silicone to "set" for 1 minute before using the treadmill.



CLEANING:

Routine cleaning of your treadmill will extend the product's life.

- **Warning:** To prevent electrical shock, be sure the power to the treadmill is OFF and the power cord is unplugged from the wall electrical outlet before attempting any cleaning or maintenance.
- **Important:** **DO NOT** use abrasives or solvents to clean the treadmill. To prevent damage to the computer, keep liquids away and keep it out of direct sunlight.
- **After each workout:** Wipe off the console and other treadmill surfaces with a soft, clean, water dampened cloth to remove excess perspiration.
- **Weekly:** Use of a treadmill mat is recommended for ease of cleaning. Dirt from your shoes contacts the belt and eventually makes it to underneath the treadmill. Vacuum underneath treadmill once a week.

Note: when lubricating the belt, make sure the treadmill is located on a surface that can be easily cleaned. After lubricating your treadmill running belt, clean any excess silicone off the belt and frame.

IMPORTANT STEPS**Warning:**

Before using this product, please consult your personal physician for a complete physical examination. Frequent and strenuous exercise should be approved by your doctor first. If any discomfort should result from your use of this product, stop exercising and consult your doctor. Proper usage of this product is essential. Please read your manual carefully before exercising.

Avertissement :

Avant d'utiliser de produit, veuillez consulter votre médecin personnel pour un examen médical complet. Des exercices fréquents et difficiles doivent d'abord être approuvés par votre médecin. Si vous ressentez un malaise par suite de l'utilisation de produit, arrêtez les exercices et consultez votre médecin. Un usage approprié de ce produit est essentiel. Veuillez lire attentivement votre manuel avant de commencer les exercices.

Les enfants doivent rester éloignés de l'équipement pendant son utilisation et lorsqu'il est laissé sans surveillance. Portez toujours des vêtements appropriés pour les exercices, y compris des chaussures d'athlétisme. Ne portez pas de vêtements amples qui pourraient être pris dans l'appareil durant les exercices.

Please keep all children away from the equipment during use and when equipment is unattended.

Always wear appropriate clothing, including athletic shoes, when exercising. Do not wear loose clothing that could become caught during exercising.

Make sure that all bolts and nuts are tightened when equipment is in use. Periodic maintenance is required on all exercise equipment to keep it in good condition.

Before beginning:

How you begin your exercise program depends on your physical condition. If you have been inactive for several years, or are severely overweight, you must start slowly and increase your time gradually, a few minutes per week.

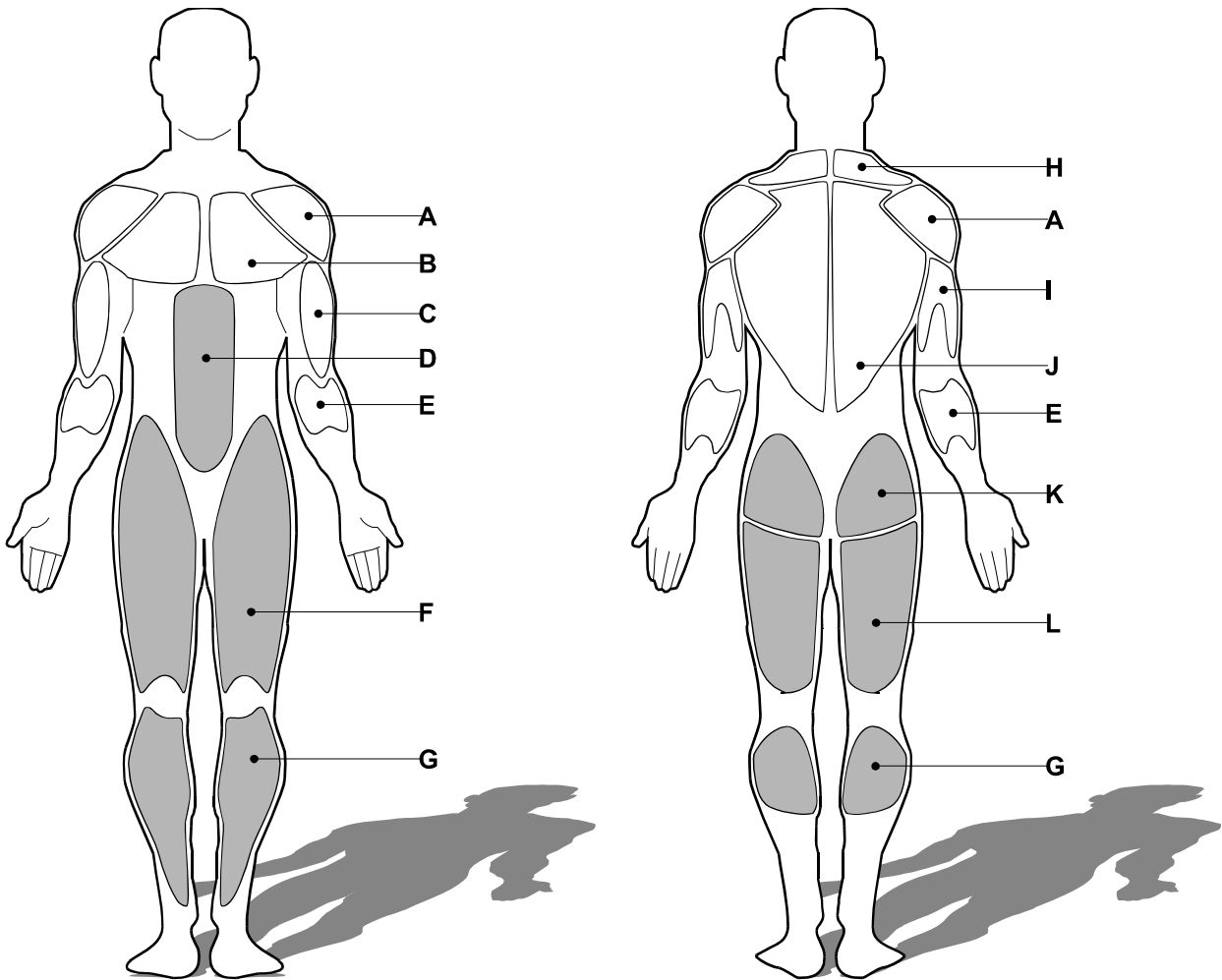
Initially you may be able to exercise only for a few minutes in your target zone. However, your aerobic fitness will improve over the next six to eight weeks. Don't be discouraged if it takes longer. It's important to work at your own pace. Ultimately, you'll be able to exercise continuously for 30 minutes. And the better your aerobic fitness, the harder you will have to work to stay in your target zone. But remember these essentials:

- Contact your physician before starting a workout or training program. Have your doctor review your training and diet programs to advise you of a workout routine you should adopt.
- Begin your training program slowly with realistic goals that have been set by you and your doctor.
- Supplement your program with some type of aerobic exercise such as walking, jogging, swimming, dancing and/or bicycling. Monitor your pulse frequently. If you do not have an electronic heart rate monitor, have your physician show you the proper way to manually check your pulse by using your wrist or neck. Establish your target heart rate based on your age and condition.
- Drink plenty of fluids during the course of your routine. You must replace the water content lost from excessive exercising to avoid dehydration. Avoid drinking large amounts of cold liquids. Fluids should be at room temperature when consumed.

MUSCLE CHART

Targeted muscle groups:

The exercise routine that is performed on this product will develop primarily lower body muscle groups. These muscle groups are shown in gray color on the chart below.



MUSCLE GROUPS

A	Shoulder muscles	Calf muscles	G
B	Pectoral muscles	Trapezius muscles	H
C	Bicep muscle	Tricep muscles	I
D	Abdominal muscles	Back muscles	J
E	Forearm muscles	Gluteal muscles	K
F	Quadricep muscles	Hamstring muscles	L

STRETCHING ROUTINE

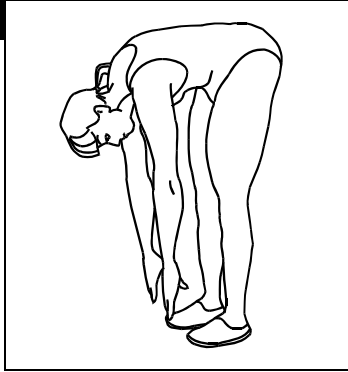
Warm up and cool down:

A successful exercise program consists of a warm-up, aerobic exercise, and a cool-down. Do the entire program at least two and preferably three times a week, resting for a day between workouts. After several months, you can increase your workouts to four or five times per week.

Warming up is an important part of your workout, and should begin every session. It prepares your body for more strenuous exercise by heating up and stretching out your muscles, increasing your circulation and pulse rate, and delivering more oxygen to your muscles. At the end of your workout, repeat these exercises to reduce sore muscle problems. We suggest the warm-up and cool-down exercises on the following pages:

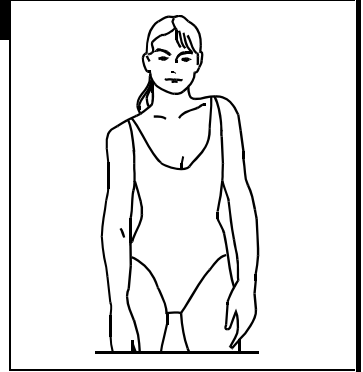
Toe Touch:

Slowly bend forward from your waist, letting your back and shoulders relax as you stretch toward your toes. Reach down as far as you can and hold for 15 counts.



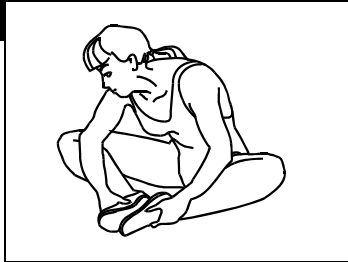
Shoulder Lift:

Lift your right shoulder up toward your ear for one count. Then lift your left shoulder up for one count as you lower your right shoulder.



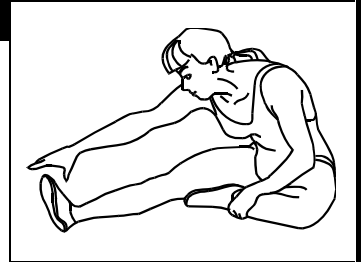
Inner Thigh Stretch:

Sit with the soles of your feet together with your knees pointing outward. Pull your feet as close into your groin as possible. Gently push your knees towards the floor. Hold for 15 counts.



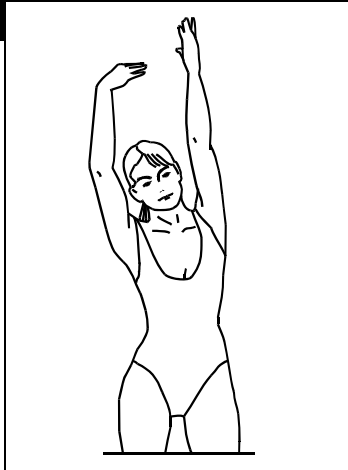
Hamstring Stretch:

Sit with your right leg extended. Rest the sole of your left foot against your right inner thigh. Stretch toward your toe as far as possible. Hold for 15 counts. Relax and then repeat with left leg extended.



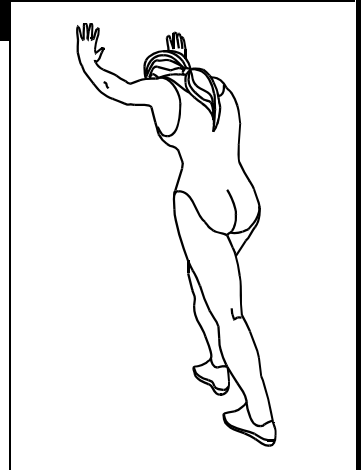
Side Stretch:

Open your arms to the side and continue lifting them until they are over your head. Reach your right arm as far upward toward the ceiling as you can for one count. Feel the stretch up your right side. Repeat this action with your left arm.



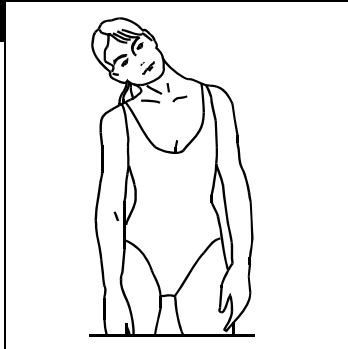
Calf-Achilles Stretch:

Lean against a wall with your left leg in front of the right and your arms forward. Keep your right leg straight and the left foot on the floor; then bend the left leg and lean forward by moving your hips toward the wall. Hold, and then repeat on the other side for 15 counts.



Head Roll:

Rotate your head to the right for one count, feeling the stretch on the left side of your neck. Next, rotate your head back for one count, stretching your chin to the ceiling and letting your mouth open. Rotate your head to the left for one count, and finally, drop your head to your chest for one count.



STRETCHING ROUTINE

Read carefully the following before using your treadmill

- ◆ Always stretch your muscles before exercise program. Warm up slowly by walking at a slow speed. Increase workout intensity gradually until you reach your desired workout pace. Decrease workout intensity gradually to an easy walk, allowing your heart rate to decrease to a normal situation.
- ◆ When starting the treadmill, always stand with both feet on the step-on side rails.
- ◆ When finishing, allow the running belt to slow down and come to a complete stop before stepping off.
- ◆ Wear comfortable, non-restrictive clothing when using the treadmill. Never wear anything loose, such as baggy sweat pants, neckties, loose socks or jewelry. Never drape towels on or around the treadmill during use.

WARNING

If you feel dizzy, nausea, chest pain or other abnormal symptoms, stop immediately. Consult a physician before continuing use.

AVERTISSEMENT: Si vous vous sentez étourdi, la nausée, la douleur de coffre ou d'autres symptômes anormaux, s'arrêtent immédiatement. Consultez un médecin avant de continuer l'utilisation.

- ◆ Always use the handrail when stepping on or off the treadmill and when changing incline or speed.
- ◆ This treadmill is equipped with a safety key – always clip the cord attached to the safety key to a part of your clothing so the safety key will properly detach from the computer console, thereby stopping the treadmill.
- ◆ Wear running or walking shoes with high-traction soles. To avoid injury and unnecessary wear on your treadmill, be sure your shoes are free of any debris such as gravel and small rocks.

Before completing an exercise session, always:

1. Allow time to slow your pace, cool down, and reduce your heart rate to a normal level before completing your workout.
2. Grasp the handlebars and press the Speed “?” button. Slow your pace to an easy walk.
3. Ensure the running belt has come to a complete stop before exiting the treadmill.

WARNING

Turn off and unplug the treadmill before proceeding with any maintenance or visual inspections. Failure to do so may result in serious injury. Note: Failure to perform the required periodic and preventative maintenance can void your warranty.

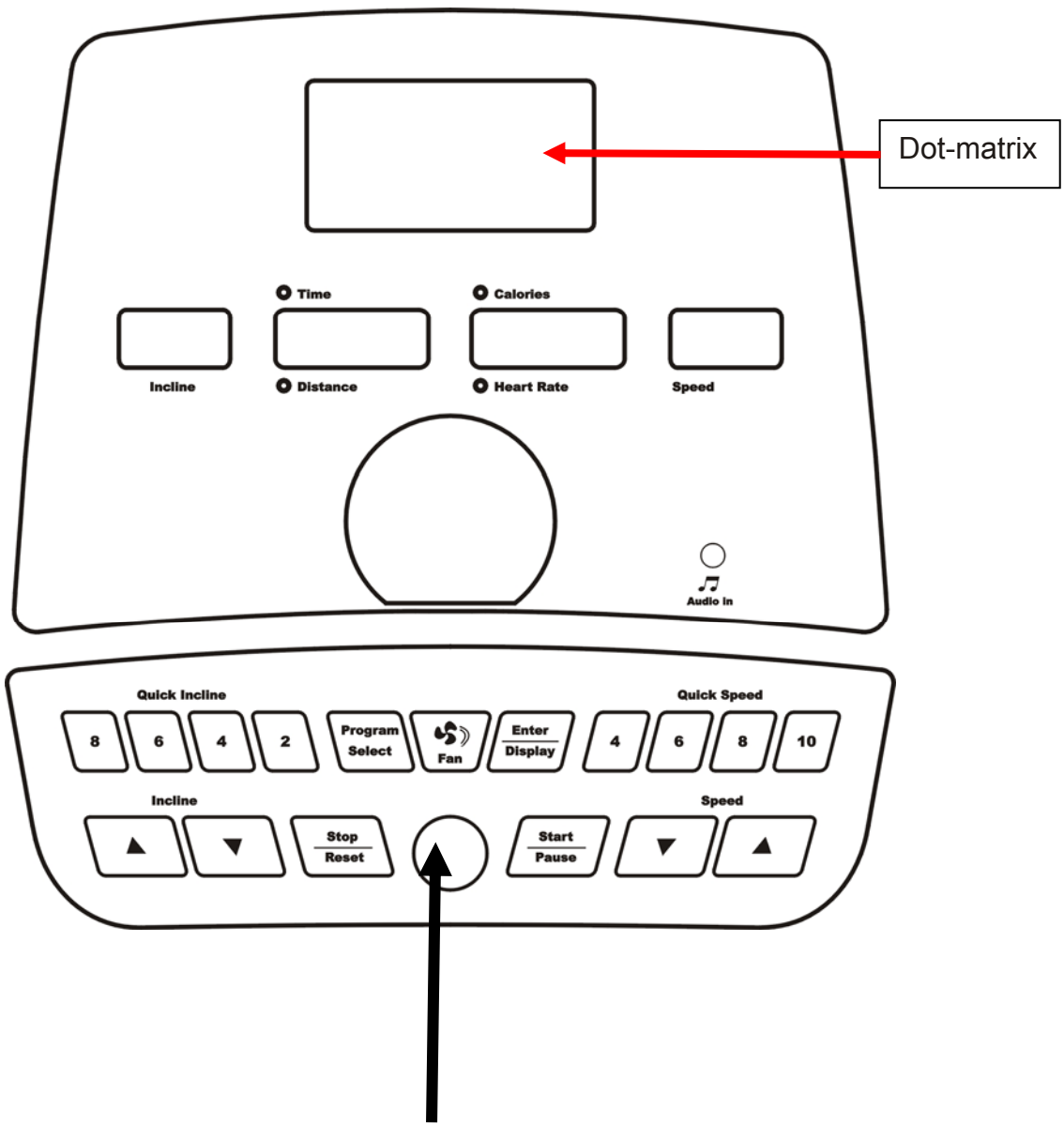
AVERTISSEMENT

Arrêtez et débranchez le tapis roulant avant de procéder à tout l'entretien ou inspections visuelles. Le manque de faire ainsi peut avoir comme conséquence des dommages sérieux. Note : Le manque d'exécuter l'entretien périodique et préventif exigé peut vider votre garantie.

At the end of every exercise session, always:

1. Remove the Safety Key from the computer console.
2. Use the master power switch to turn the treadmill off. The master power switch is located at the right side of frame next to the electrical cord.
3. Always position and store the electrical cord where is clear from all pathways.
4. Unplug the electrical cord from the electrical outlet. This is especially important if you are not going to use your treadmill for extended periods.
5. Wipe all treadmill surfaces with a dry cloth or towel especially perspiration on the handlebars, con troll panel, running belt or other treadmill components.

COMPUTER OPERATION




Safety Key Pad

If the safety key is not present the treadmill will not function

COMPUTER OPERATION**Display Function:**

Time	Displays time remaining or total time.
Distance	Displays total distance KM/Mi.
Calories	Displays calories burned
Heart Rate	Displays hand grip and wireless Heart Rate reading.
Speed	Displays the running speed.
Incline	Displays current incline level 1-15.

Buttons Functions:

Incline ▲ / ▼	Adjusts the incline while in use. Adjusts program types and program values
Speed – / +	Adjusts the speed while in use. Adjusts program types and program values
Quick keys for incline	Adjusts incline to a predetermined value There are 4 incline quick keys.
Quick keys for speed	Adjusts speed to a predetermined value There are 4 speed quick keys ◦
Enter / Display	Confirm value entered. Shift the window display while using. Calories <->Heart Rate Time<->Distance
Program select	Selects program.
Start / Pause	Quick start or program start. Press to pause when in use.
Stop / Reset	Stop: Press once during the workout. Reset: Press twice and the computer will reset to User mode.
	Sound input jack. The audio device controls the volume of the speakers.
Fan	Powers the fan on/off and changes fan speed.

COMPUTER OPERATION

Quick START:

Press START, and the Dot-matrix will countdown "3-2-1" then the belt will begin to move..

1. The speed will begin at the lowest speed(0.5mph/0.8kph), the Incline will begin at Level 0, and all data will begin to count up.
2. Press **Speed ▼ / ▲** to adjust the speed by 1/10. Holding the speed button will increase or decrease the speed more rapidly, and press Incline **▲ / ▼** to change incline level. Holding the incline button will increase or decrease the speed rapidly.

User Profile Mode:

Reset the computer by removing the safety key and replacing into key holder., The Speed window will display 1. Press the **Speed ▼ / ▲** to choose the User ID from 1 to 2 and hold the **Enter** about 5 five seconds to enter the user profile.

WEIGHT set up – After the User ID has been chosen the Calories window will display the default or previous weight Setting. Press the **Speed ▼ / ▲** to adjust the user WEIGHT information then press **Enter** to record.

HEIGHT set up – After the User WEIGHT has been set, the TIME window will display the default or previous height setting. Press the **Speed ▼ / ▲** to adjust the user HEIGHT information then press **Enter** to record..

AGE set up – After the User HEIGHT has been set the TIME window will display the default or previous age setting. Press the **Speed ▼ / ▲** to adjust the user AGE information then press **Enter** to record..

Gender set up – After the AGE has been set the Dot-matrix display the default or previous gender setting. Press the **Speed ▼ / ▲** to adjust the user GENDER information then press **Enter** to record and enter the program mode.

Cool down mode:

After completing a program the treadmill will enter a five-minute cool down program. The incline will return to 0% and the speed will be gradually reduced to 2.0 mph if the ending work out speed is greater then 2.0 mph. If the ending workout speed is 2.0 mph or less then the cool down will continue at the last work out speed and can be manually decreased.

P1 Fitness test :

1. After selecting the user profile press the Program Select button until P1 is displayed. "FITNESS TEST" will scroll in the Dot-matrix window, then press **Enter** to confirm The Time window will display "**12:00**", press start to begin.
2. Beginning the workout :
 - (1). The speed starts from 0.5mph/0.8kph, press **Speed ▼ / ▲** to adjust the speed.
 - (2). The incline is set at Level 0, and cannot be adjusted in this program.
3. Once the program and the cool down have been completed, the Dot-matrix will display the test result.
 - 2.1. Test results :
『VERY BAD』, 『BAD』, 『AVERAGE』, 『GOOD』, 『VERY GOOD』
 - 2.2 Test result values will be displayed in the window for 1 minute. Press **Stop/Reset** back to idle mode.

Warning: THIS PROGRAM IS ONLY DESIGNED TO MARK THE IMPROVEMENT IN THE USER'S FITNESS LEVEL AND IS NOT MEANT TO DIAGNOSE OR PREDICT HEALTH CONDITIONS. PLEASE CONSULT YOUR PHYCIAN PRIOR TO USING THIS PRODUCT.

COMPUTER OPERATION

AGE	SEX	VERY GOOD	GOOD	AVERAGE	BAD	VERY BAD
13~14	Male	> 1.68 mile	1.50~1.68 mile	1.37~1.50 mile	1.31~1.37 mile	< 1.31 mile
	Female	> 1.25 mile	1.18~1.25 mile	1.00~1.18 mile	0.93~1.00 mile	< 0.93 mile
15~16	Male	> 1.75 mile	1.56~1.75 mile	1.43~1.56 mile	1.37~1.43 mile	< 1.37 mile
	Female	> 1.31 mile	1.25~1.31 mil	1.18~1.25 mile	1.00~1.06 mile	< 1.00 mile
17~20	Male	> 1.87 mile	1.68~1.87 mile	1.56~1.68 mile	1.43~1.56 mile	< 1.43 mile
	Female	> 1.43 mile	1.31~1.43 mile	1.12~1.31 mile	1.06~1.12 mile	< 1.06 mile
21~29	Male	> 1.75 mile	1.50~1.75 mile	1.37~1.50 mile	1.00~ .37 mile	< 1.00 mile
	Female	> 1.68 mile	1.37~1.68 mile	1.12~1.37 mile	0.93~1.12 mile	< 0.93 mile
30~39	Male	> 1.68 mile	1.43~1.68 mile	1.18~1.43 mile	0.93~1.18 mile	< 0.93 mile
	Female	> 1.56 mile	1.25~1.56 mile	1.06~1.25 mile	0.87~1.06 mile	< 0.87 mile
40~49	Male	> 1.56 mile	1.31~1.56 mile	1.06~1.31 mile	0.87~1.06 mile	< 0.87 mile
	Female	> 1.43 mile	1.18~1.43 mile	0.93~1.18 mile	0.75~0.93 mile	< 0.75 mile
Over 50	Male	> 1.50 mile	1.25~1.50 mile	1.00~1.25 mile	0.81~1.00 mile	< 0.81 mile
	Female	> 1.37 mile	1.06~1.37 mile	0.87~1.06 mile	0.68~0.89 mile	< 0.69 mile

P2 HRC(Heart Rate Control):

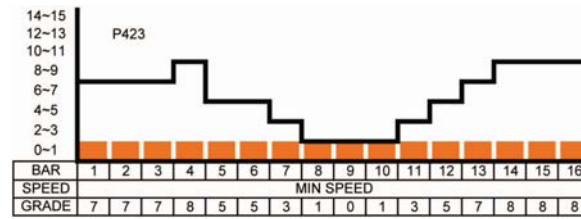
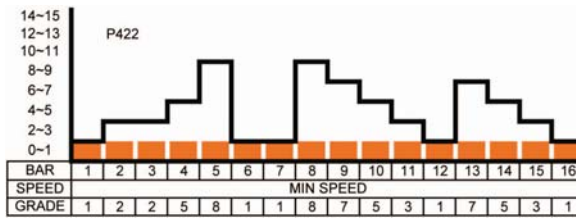
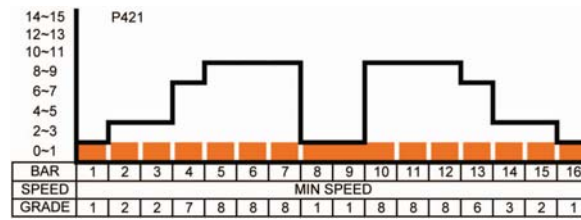
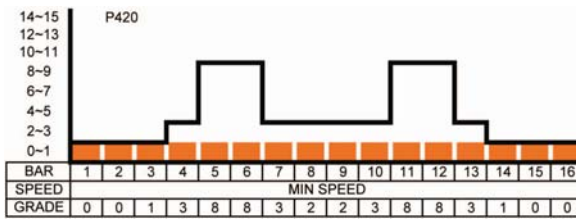
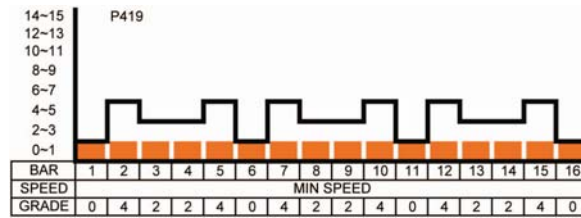
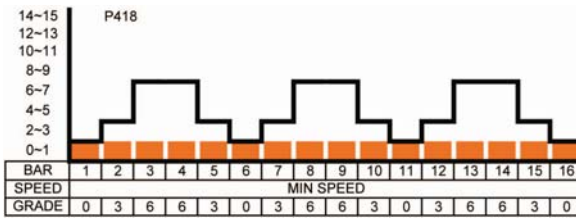
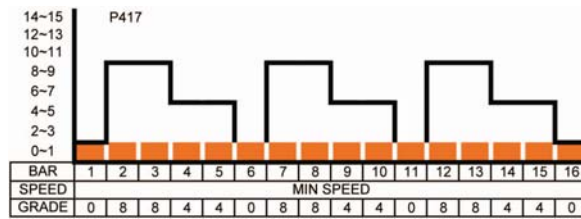
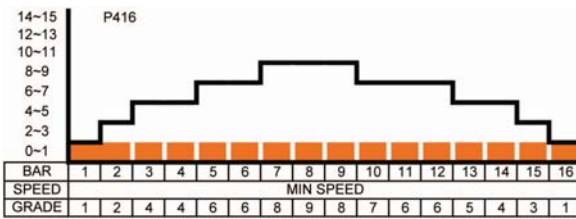
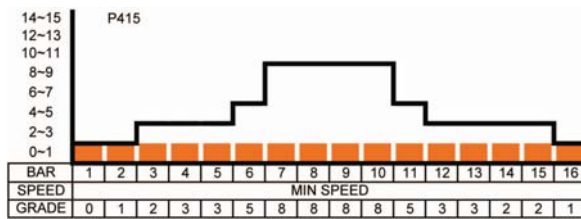
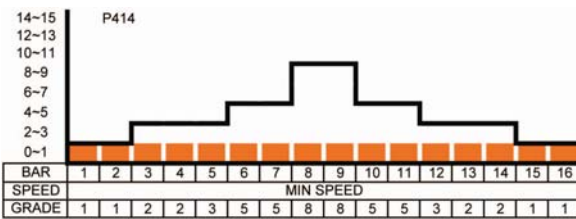
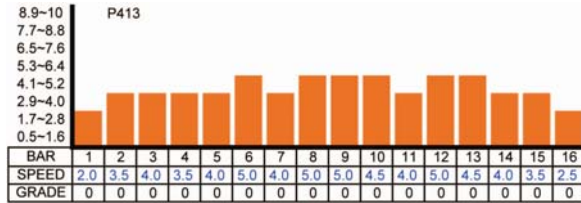
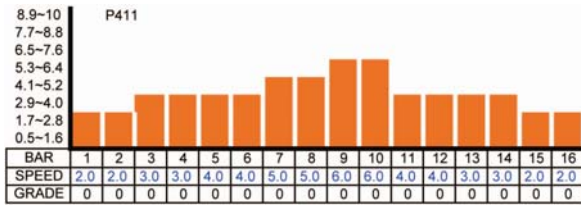
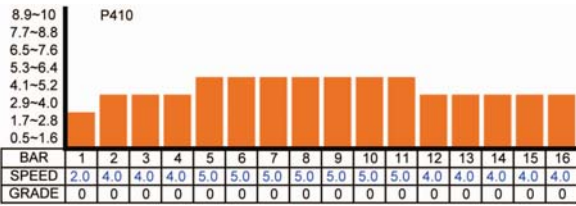
1. After selecting the user profile press Program select button until P2 is displayed. "HRC" will scroll in the Dot-matrix, then press **Enter** to confirm.
 - 1.1. Selecting heart rate mode:
Dot-matrix window will display THR (Target Heart Rate mode), you can press **Speed ▼ / ▲** to change to the 65%, 75% or 85% HRC programs.(max heart rate 65%、75%、85% based on age entered in the user profile) Press **Enter** to confirm.
 - 1.2. Setting the target heart rate:
After the heart rate program has been selected, The Heart Rate window will display a target heart rate value, press **Speed ▼ / ▲** to change the preset target heart rate, then press **Enter** to confirm.
 - 1.3. Setting the time:
Time window will display **【32:00】**, press **Speed ▼ / ▲** to set time then press **Start** to begin the workout.
2. Beginning the workout :
 - 2.1. The speed will start at 0.5mph/0.8kph and incline=0.
 - 2.2. The program will compare the actual and target heart rates every 30 seconds then adjust the incline to raise or lower The actual heart rate until the actual reaches the target heart rate.
 - (1). During the program, if the actual pulse rate is ≤ 5 beats below the target heart rate, the incline will increase one level every 30 seconds until the actual heart rate is within 5 beats of the target.
 - (2). During the program, if the actual pulse rate is ≥ 5 beats above the target heart rate, the incline will decrease one level every 30 seconds until the actual heart rate is within 5 beats of the target.
 - 2.3. The speed is manually adjusted in this program. The incline setting can be overiden at any time by pressing the incline buttons.
 - 2.4. After the cool down mode, all data will be displayed in the windows for 2 minutes. Press **Reset to go** back to idle mode.

COMPUTER OPERATION

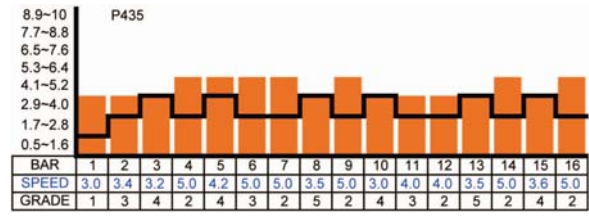
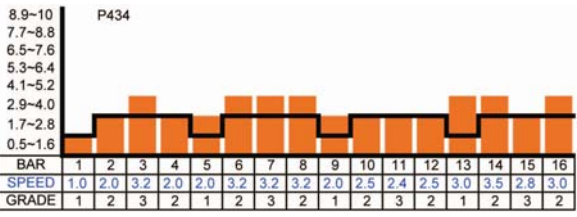
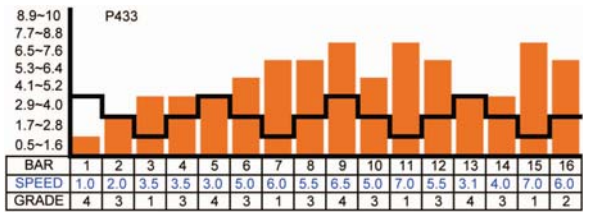
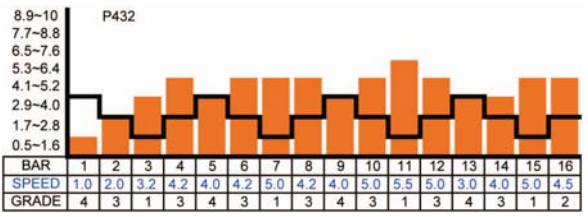
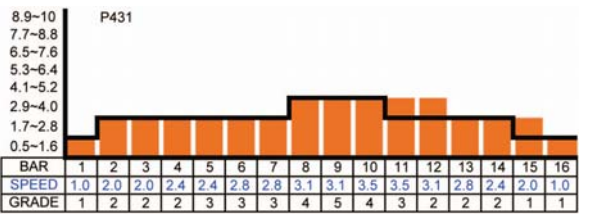
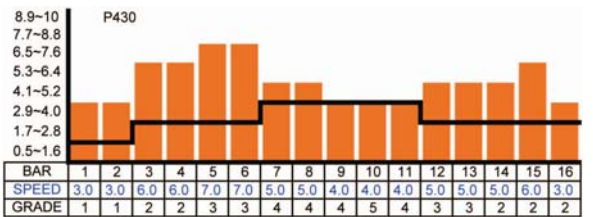
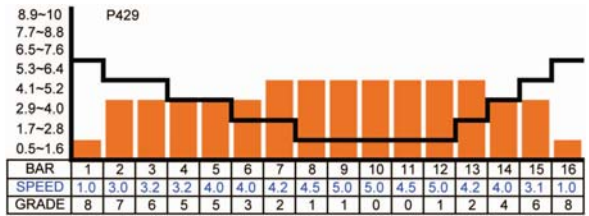
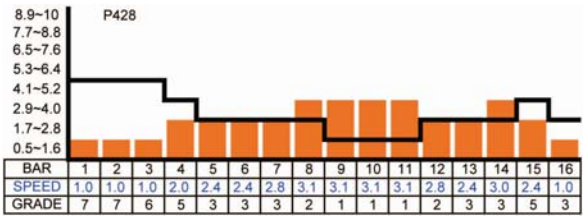
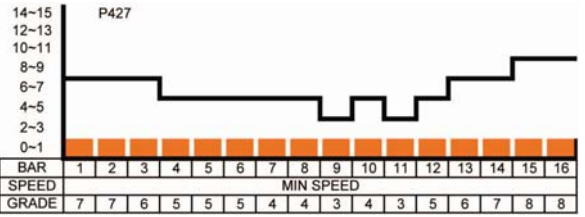
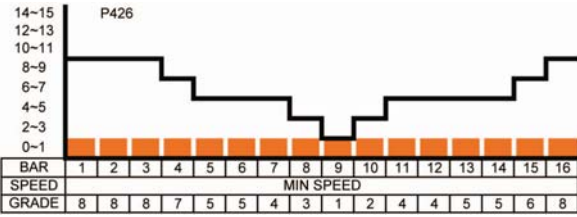
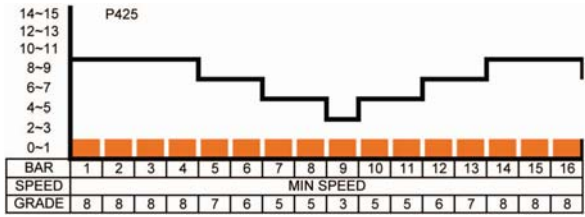
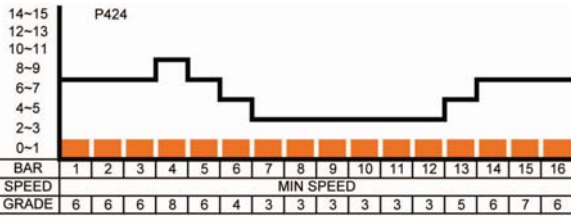
P3 CUSTOM:

1. After selecting the user profile press Program select button until P3 is displayed, "CUSTOM" will scroll in the Dot-matrix window. Press enter to confirm. The Dot-matrix will display "CUSTOM1" or "CUSTOM2", you can press **Speed ▼ / ▲** select. Then press **Enter** to confirm.
2. Creating the program: There are 16 segments you can set according to your exercise preference, you can set the speed, incline and time for each segment.
 - (1). Set the speed and incline :
Dot-matrix window will display the program profile. The active segment will blink when it is ready to be set. Press the **Speed ▼ / ▲** to set the speed and press **Incline ▲ / ▼** to set incline, press **Enter** to confirm..
 - (2). Set the time :
Time window will now start blinking, press **Speed ▼ / ▲** to set time for the individual segment. Press **Enter** to confirm and move to the next segment..
3. Beginning the workout :
 - (1). Press **Start** to begin the workout after all the desired segments have been set, the program will automatically be saved.
 - (2). The speed and incline will automatically change according to your settings, The program will skip any segment segments that have been set for 0 time values and move to the next segment..
 - (3). After the cool down mode, all data will be displayed in the windows for 2 minutes. Press **Reset to go** back to idle mode. Press **Start** to begin the workout after all the desired segments have been set, the program will automatically be saved.

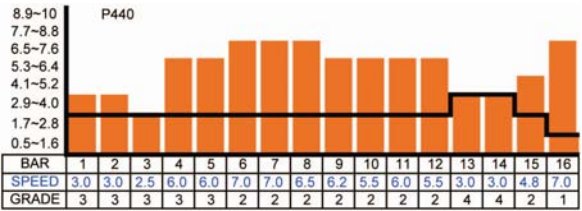
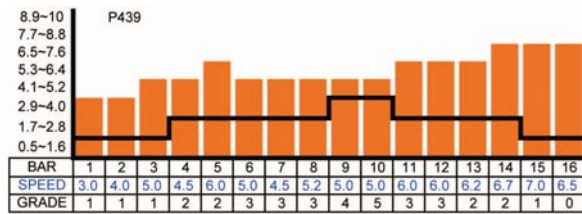
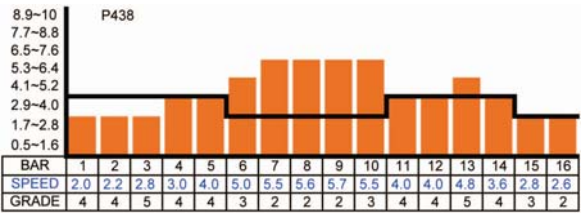
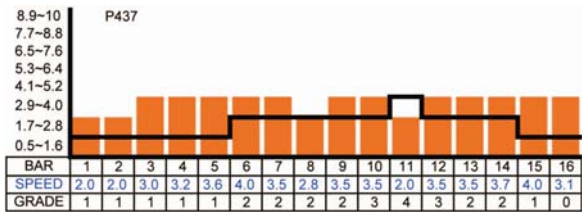
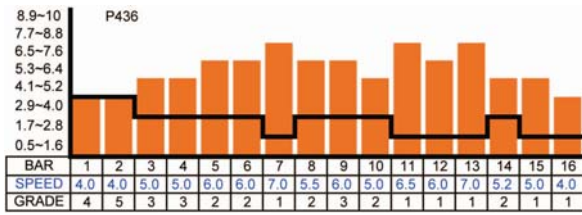
COMPUTER OPERATION



COMPUTER OPERATION



COMPUTER OPERATION



COMPUTER OPERATION

P5 Body index:

1. After selecting the user profile press Program select button until P5 is displayed, "BODY INDEX" will scroll in the Dot-matrix window. Press enter to confirm. (this program is solely based on the information entered into the user profile and is calculated using generic BFR, BMI, and BMR formulas)
2. Begin calculating:
 - (1). Press start to begin, and the Dot-matrix will display "CALCULATING"
 - (2). After five seconds, the window will show BFR / BMI / BMR and Time window will show calculating value.
3. Test results: The below test results are estimated and are only meant to provide an estimated fitness keystone. Consult your health provider for accurate testing.
 - (1). BFR (Body Fat Ratio): Average→15~25% for male, 20~30% for female.
 - (2). BMI (Body Mass Index): Underweight→0-17, Normal→18-25, over weight→26-30, Obese→31 or greater
 - (3). BMR (Basal Metabolic Rate): Calories burned when the body is left inactive.

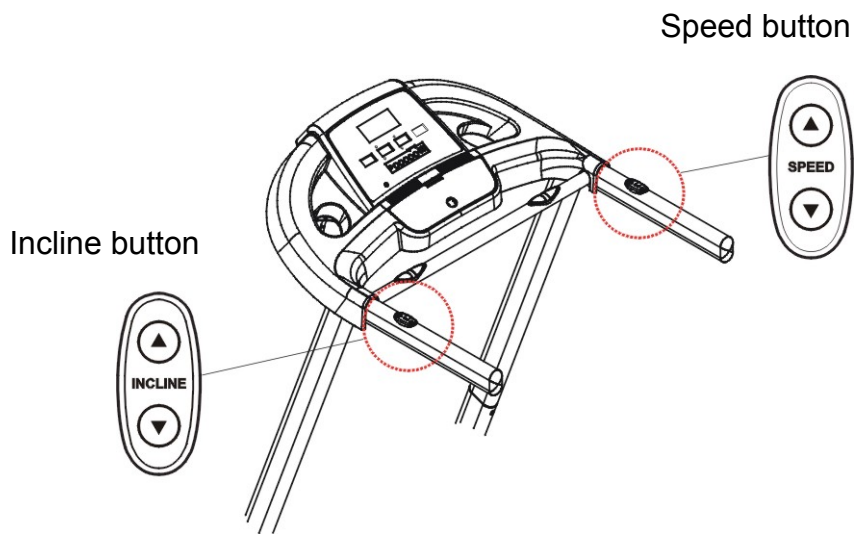
Warning: THIS PROGRAM IS ONLY DESIGNED TO MARK THE IMPROVEMENT IN THE USER'S FITNESS LEVEL AND IS NOT MEANT TO DIAGNOSE OR PREDICT HEALTH CONDITIONS. PLEASE CONSULT YOUR PHYCIAN PRIOR TO USING THIS PRODUCT.

P6 Target:

1. After selecting the user profile press Program select button until P6 is displayed, "TARGET" will scroll in the Dot-matrix window. Press enter to confirm.
 - (1). Setting the time: The time window will flash the preset time. Press **Speed ▼ / ▲** to set the time then press **Enter** to confirm.
 - (2). Setting the target calories:
After the TIME set up procedure, the calories window will flash the preset calories. Press **Speed ▼ / ▲** to set the Calories, then press **Enter** to confirm
 - (3). Setting the target distance:
After the Calories set up procedure, the distance window will flash the preset distance. Press **Speed ▼ / ▲** to set the Distance, then press **Enter** to confirm
2. Beginning the workout:
 - (1). After the Target mode set up procedure, Press start, the Time, Distance and Calories will begin to count down. When any of the set values(Time, Calories, Distance) reach 0 the program will end. If any value is set to 0, it will not be included in the program
 - (2). After the cool down mode, all data will be displayed in the windows for 2 minutes. Press **Reset to go** back to idle mode. Press **Start** to begin the workout after all the desired segments have been set, the program will automatically be saved.

HANDLE BUTTONS

Handle buttons:

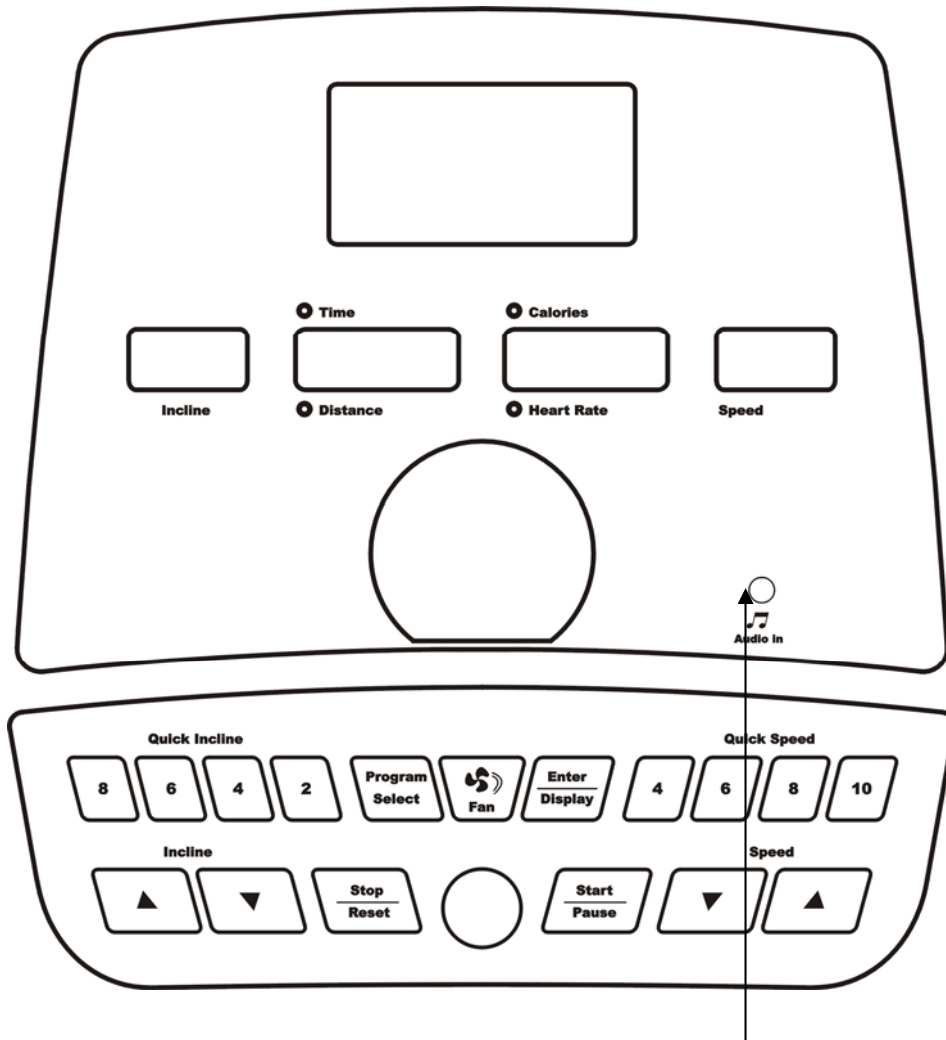


MUSIC JACK USAGE

NOTE:

High speaker volume may interfere with the heart rate accuracy. Please decrease the speaker volume when you are using the heart rate function.

※ Warning: After removing the safety key, wait for 5 seconds to re-insert in.

**Music jack**

(Compatible with a 3.5" plug)

※ This will not function with headphones

TROUBLESHOOTING

SYMPTOM	CAUSE	SOLUTION
No power to display	A). Not plugged in. B). Power switch not activated C). Power input circuit breaker blown.	Please check power input and fuse. Contact your dealer if unit is plugged in, powered on and circuit breaker is depressed
LED display partially lit	LED error	Contact your dealer for troubleshooting
Computer displays E1	A).speed sensor communication problem. B).Motor console damaged.	Switch off the power and switch on after 10 seconds then press START. Check: 1. Does the running belt move? 2. If the running belt moves, does E1 appear after 10 seconds? If the belt moves and E1 does not appear after powering off, lubricate the running belt and deck. If the belt does not move and E1 appears, please contact your Dealer
Computer displays E7	Incline malfunction	Contact your Dealer.
Computer displays E8	EPROM Error	Contact your Dealer for troubleshooting
Computer displays E9	A).Do not hold hand pulse device during Body Index test. B). Hand pulse device problem.	Test again according the steps. Contact your dealer.
LED display Show "--"	The safe key is not in place.	Place the safety key in correct position. See page 27

LIMITED WARRANTY

9912 (2)

LIMITED HOME USE WARRANTY – SMOOTH FITNESS Treadmills Warranty

Warranty Coverage: EVO Fitness and Smooth Fitness, Inc. ("Smooth Fitness") warrants to the original owner that each new product to be free from defects in workmanship and material, under normal use and conditions.

Period of Coverage: The Warranty on this product runs from the date of original purchase using the following schedule:

Model Name	Frame	Drive Motor	Parts & Electronics	Labor
5.65S	Lifetime	Lifetime	3 years	1 year

Labor: Smooth Fitness will reimburse for labor costs for One (1) year. Smooth Fitness reserves the right to either:

Hire and reimburse an independent service technician who will come into the home for the repair,

OR

In the event that there is not an available certified Smooth Fitness service technician, Smooth will send the part directly to the consumer and will pay \$75 US per occurrence for the labor costs of such repair. If multiple repair attempts must be made for one reported problem, Smooth will only reimburse once per occurrence.

Smooth Fitness reserves the right to inspect damaged parts for misuse. Your Original Receipt is proof of purchase and should be kept with the product manual. You may be required to show proof of purchase prior to warranty service being initiated.

Remedy Provided by Smooth Fitness: Smooth Fitness will provide a replacement part free of charge if a defect is found during the Warranty period. Smooth Fitness may at its discretion, choose to provide any of following parts or repair options. In the event that a part is determined in need of replacement, upon receipt of the part by Smooth Fitness, Smooth Fitness may send out the part by UPS ground or another such carrier directly to the customer's home.

Any redemption may be by repair or replacement of the affected parts and/or product at the sole discretion of Smooth Fitness, by personnel approved by Smooth Fitness.

Parts repaired or replaced pursuant to this Warranty shall be warranted for the unexpired portion of the Warranty applying to the original product. Any technical advice furnished before or after delivery in regard to the use or application of Smooth Fitness products is furnished without charge and on the basis that it represents Smooth Fitness' best judgment under the circumstances but that the advice is used at your sole risk.

Procedure for Obtaining Your Remedy Under This Warranty: To obtain service on a Smooth Fitness product, call Smooth Fitness. In the instance that service is not available in an area, Smooth Fitness, at its discretion, can either 1) find a service technician in your area to perform warranty service, 2) have a local dealer perform warranty service, or 3) send the warranty parts to you and reimburse as described above. To help the technician assist you, please have the following information ready:

- Model name or number from the cover of the manual;
- Serial number located on the frame of the unit; and
- The part description and the order number.

Limitations on Warranty: This Warranty does not cover any problems, damages or failures that are caused by accident, improper assembly, failure to observe cautionary labels on the product, failure to operate the product correctly, power grid failures or spikes from your local electricity provider, abuse or freight damage. Smooth Fitness does not warrant against any damage or defects that may result from repair or alterations made to the product by an unauthorized repair facility. In order for this warranty to be valid, all Smooth Fitness and EVO Fitness exercise equipment must be stored and used in a fully finished and livable room within the residence (not including an indoor swimming pool room).

This Warranty shall terminate if you sell or otherwise transfer this product. This Warranty does not apply to any product shipped or handled outside of the United States or Canada. This Warranty does not apply if the product is used as a rental product or in commercial use. Consequential and incidental damages are not recoverable under this Warranty. (Some states do not allow the exclusion or limitation of incidental or consequential damages, so the above limitation or exclusion may not apply to you.)

THIS WARRANTY IS EXPRESSLY IN LIEU OF ALL OTHER EXPRESS WARRANTIES. ALL IMPLIED WARRANTIES, INCLUDING WARRANTIES OF MERCHANTABILITY OR FITNESS FOR ANY PARTICULAR PURPOSE, ARE LIMITED IN DURATION TO ONE (1) YEAR FROM THE EFFECTIVE DATE OF THIS WARRANTY. SMOOTH FITNESS IS NOT LIABLE FOR CONSEQUENTIAL OR INCIDENTAL DAMAGES RESULTING FROM ANY DEFECT IN PARTS NOR FOR ANY BREACH OF EXPRESS OR IMPLIED WARRANTIES. SMOOTH FITNESS' SOLE LIABILITY UNDER THIS WARRANTY IS LIMITED TO THE TERMS DESCRIBED IN THIS FORM. THIS WARRANTY GIVES YOU SPECIFIC LEGAL RIGHTS, AND YOU MAY ALSO HAVE OTHER RIGHTS WHICH VARY FROM STATE TO STATE.

FORM WS-1 (rev. 11/2010)



Smooth Fitness
780 5th Ave
King of Prussia, PA 19406

Toll Free Customer Service:
1.888.800.1167

Website:
www.smoothfitness.com